

EXPLOSION GROUP IIC

CPS../EMH.. Series enclosures - Aluminium



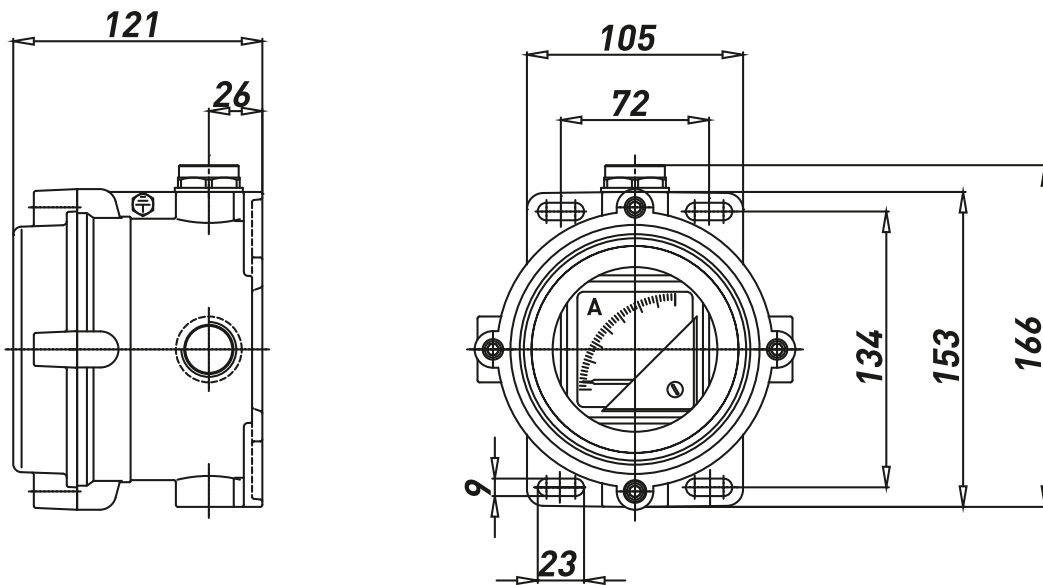
CPS/EMH.. series instrument housings are based on the features of our CPS.. boxes and offer Ex d IIC mode of protection.

They are suitable for hazardous areas of industrial plants for indoor and outdoor applications.

TECHNICAL FEATURES

Material	Aluminium with low content of copper
IP rating	IP66
Ambient temperature range	-50°C to + 55°C (ATEX) -60°C to +60°C (IECEX)
Approvals	INERIS 03ATEX0009 IECEX BK1 15.0002 TR CU
Marking	II 2 GD Ex d IIC T(*) Gb Ex tb IIIC T(*) Db IP66 Ex db IIC T6/T5/T4 * T6/T85°C, T5/T100°C, T4/T135°C
Surface treatment	Green colour polyurethane painting cycle RAL6003 (other colour available upon request)
Entries	Metric pitch 1.5, ANSI B1.20.1 NPT, UNI-6125
Standard certificate label	Made by self adhesive UV and corrosion resistant polyester, approved by INERIS Laboratory.

Dimensions CPS../EMH..



CPS../EMH.. enclosures

TYPE	CODE RAL6003	WINDOW DIAMETER	WEIGHT [kg]
EMH-90 M25X1,5	B0701.000001	90	1.40
EMH-90 3/4"NPT	B0701.000006	90	1.40

Ammeter / Voltmer available on request.