

20 A

550 V
U MAX

DECONTACTOR™ DXA1



MARECHAL ELECTRIC FRANCE

Ex II 2 G D

Ex db eb IIC T* Gb

Ex tb IIIC T* Db

-55 °C ≤ Ta ≤ +40 °C

T6

T68 °C

-55 °C ≤ Ta ≤ +60 °C

T5

T88 °C

LCIE 15 ATEX3033X/IECEX LCIE 15.0030X



IP66
IP67



1-4 mm² (1)
1,5-6 mm² (2)



METAL



IK10



-55 °C
+60 °C



AC-22
AC-23



ATEX



1, 2,
21, 22

(1) Flexible wiring (min.-max.).
(2) Stranded wiring (min.-max.).

TEMPERATURE RATING

Gas temperature classes

T6 for an ambient T° between -40 °C and +40 °C

T5 for an ambient T° between -40 °C and +60 °C

Dust surface temperature classes

Surface T° ≤ 68 °C for an ambient T° between -40 °C and +40 °C

Surface T° ≤ 88 °C for an ambient T° between -40 °C and +60 °C

STANDARDS

International and European
IEC/EN standards

60079-0, 60079-1, 60079-7, 60079-31, 60309-1, 60309-4, 60947-3

Protection mode

db eb, tb

SOCKET-OUTLET

female
DXA1



PLUG male
DXA1



220-250 V AC	1P+N+E	2914015	2918015
380-440 V AC	3P+E	2914013	2918013
380-440 V AC	3P+N+E	2914017	2918017

WALL MOUNTING

socket female
DXA1



PLUG male
DXA1



220-250 V AC	1P+N+E	M20	8-13 mm	2914015 + 291A053	2918015 + 291A963
220-250 V AC	1P+N+E	M25	9-16 mm	2914015 + 291A05325M	2918015 + 291A95325M
220-250 V AC	1P+N+E	M32	12-21 mm	2914015 + 291A653	2918015 + 291A95332M
380-440 V AC	3P+E	M20	8-13 mm	2914013 + 291A053	2918013 + 291A963
380-440 V AC	3P+E	M25	9-16 mm	2914013 + 291A05325M	2918013 + 291A95325M
380-440 V AC	3P+E	M32	12-21 mm	2914013 + 291A653	2918013 + 291A95332M
380-440 V AC	3P+N+E	M20	8-13 mm	2914017 + 291A053	2918017 + 291A963
380-440 V AC	3P+N+E	M25	9-16 mm	2914017 + 291A05325M	2918017 + 291A95325M
380-440 V AC	3P+N+E	M32	12-21 mm	2914017 + 291A653	2918017 + 291A95332M

INCLINED SOCKET

female
DXA1



INCLINED APPLIANCE inlet male
DXA1



220-250 V AC	1P+N+E	2914015 + 291A027	2918015 + 291A027
380-440 V AC	3P+E	2914013 + 291A027	2918013 + 291A027
380-440 V AC	3P+N+E	2914017 + 291A027	2918017 + 291A027

COUPLER SOCKET

female
DXA1






WALL MOUNTING appliance inlet male
DXA1



220-250 V AC	1P+N+E	M20	8-13 mm	2914015 + 291A963	2918015 + 291A053
220-250 V AC	1P+N+E	M25	9-16 mm	2914015 + 291A95325M	2918015 + 291A05325M
220-250 V AC	1P+N+E	M32	12-21 mm	2914015 + 291A95332M	2918015 + 291A653
380-440 V AC	3P+E	M20	8-13 mm	2914013 + 291A963	2918013 + 291A053
380-440 V AC	3P+E	M25	9-16 mm	2914013 + 291A95325M	2918013 + 291A05325M
380-440 V AC	3P+E	M32	12-21 mm	2914013 + 291A95332M	2918013 + 291A653
380-440 V AC	3P+N+E	M20	8-13 mm	2914017 + 291A963	2918017 + 291A053
380-440 V AC	3P+N+E	M25	9-16 mm	2914017 + 291A95325M	2918017 + 291A05325M
380-440 V AC	3P+N+E	M32	12-21 mm	2914017 + 291A95332M	2918017 + 291A653

► Other currents, voltages, frequencies and contact configurations are available (see page 14).

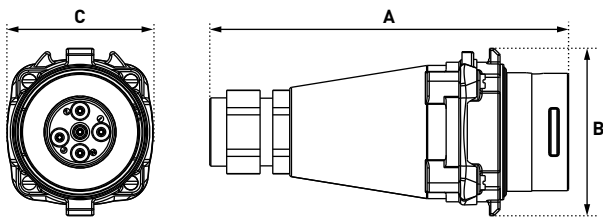
OPTIONS	Reference
LOCKING PIN FOR 2 PADLOCKS Ø 4 TO 8 mm (PADLOCKS NOT SUPPLIED)	
	Ref. + 843
INLET CAP IP66/IP67	
	291A426
IN-LINE CONNECTIONS (A PAIR OF FINGER DRAW PLATES TO AID CLOSING)	
	291A346

For other cable glands, contact us.



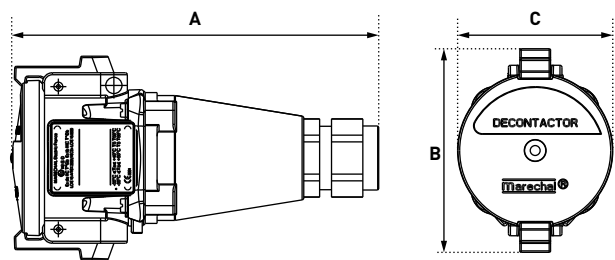
DRAWINGS AND DIMENSIONS

PLUG



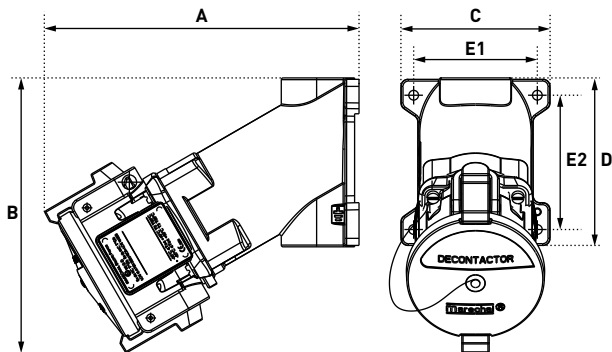
A	B	C
170	79	70

MOBILE SOCKET



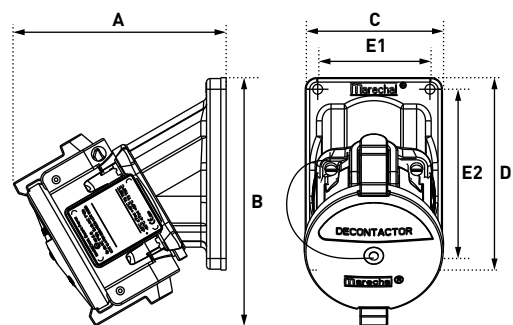
A	B	C
185	103	78

SOCKET MOUNTED ON 30° WALL BOX



A	B	C	D	E1	E2
178	156	84	95	70	76

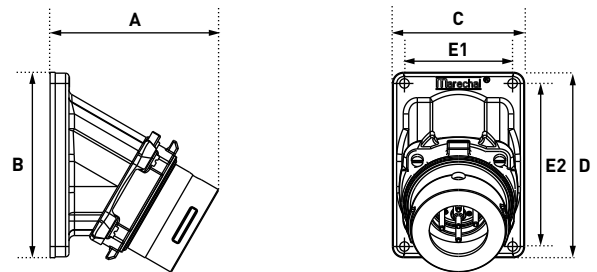
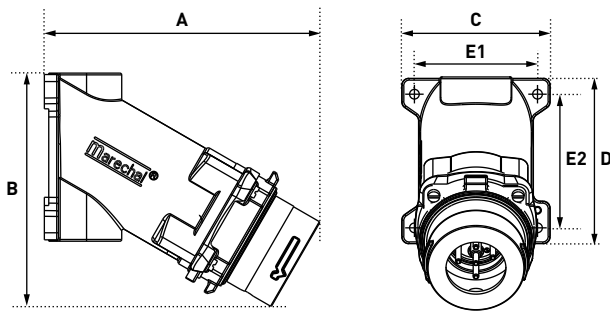
SOCKET ON 30° INCLINED SLEEVE



A	B	C	D	E1	E2
120	140	77	108	63	95

PLUG ON 30° WALL

PLUG ON 30° INCLINE SLEEVE



A	B	C	D	E1	E2
157	133	84	95	70	76

A	B	C	D	E1	E2
98	117	77	108	63	95

