

INCREASED SAFETY

EFE Series - GRP



Push button stations EFE Series, made of GRP, are manufactured by using enclosure AQ../AR.. Series.

They are designed to meet the requirements for use ON and OFF-SHORE, in petrochemical and marine applications and for any other industry where an explosive atmosphere may be present.

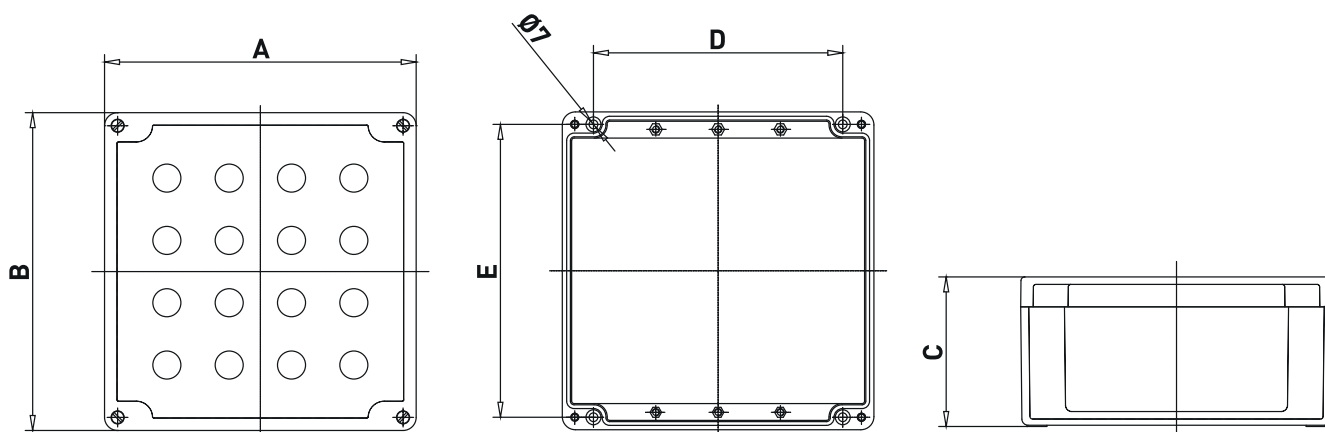
They can be equipped with following Ex de certified components:

- Standard and emergency push buttons;
- Rotating switches;
- Signalling lamps;
- Measurement instruments.

TECHNICAL FEATURES

Material	GRP (Glassfiber reinforced polyester)
IP rating	IP65/IP66
Ambient temperature range	-50°C to +60°C (ATEX) -50°C to +95°C (IECEX)
Approvals	IMQ 08 ATEX 028X IECEX IMQ 15.0002X TR CU
Marking	II 2 GD Ex de IIC T(**) Gb/Ex mb IIC T(**) Gb Ex tb IIIC T(**) Db IP65/66 ** T6/T85°C, T5/T100°C, T4/T135°C
Standard certificate label	Made by self adhesive UV and corrosion resistant polyester, approved by certified Laboratory.
Optional accessories	Hinges Drain/breather valve Traffolyte/Stainless steel certificate label Internal mounting plate Earth continuity plates Passing through earth bolt

Dimensions EFE



EFE Series - GRP push button stations

TYPE	DIMENSIONS [mm]					WEIGHT [Kg]
	A	B	C	D	E	
EFE-1212	120	122	90	82	106	0.75
EFE-1222	120	220	90	82	204	1,06
EFE-1616	160	160	90	110	140	1,29
EFE-1626	160	260	90	110	240	1.71
EFE-1636	160	360	90	110	340	2.15
EFE-2526	250	255	120	200	235	2.65
EFE-2540	250	400	120	200	380	3,65
EFE-2560	250	600	120	200	580	5,235
EFE-4140	405	400	120	355	380	5.58

* For complete push button stations is necessary to ask to the Sales Office.

Maximum number of entries on sides and cover

TYPE	M20/1/2"		M25/3/4"		M32/1"		M40/1" 1/4		M50/1" 1/2		M63/2"		COVER ENTRIES
	A	B	A	B	A	B	A	B	A	B	A	B	
EFE-1212	2	2	1	2	1	1	1	1	-	-	-	-	2
EFE-1222	2	5	1	4	1	3	1	3	-	-	-	-	6
EFE-1616	3	3	2	3	1	2	1	1	-	-	-	-	4
EFE-1626	3	5	2	5	1	4	1	3	-	3	-	-	8
EFE-1636	3	8	2	7	1	6	1	5	-	4	-	-	10
EFE-2526	8	10	8	10	3	7	3	4	2	3	2	2	16
EFE-2540	8	18	8	16	3	5	3	5	3	5	2	4	24
EFE-2560	8	25	8	24	3	10	3	8	2	6	2	6	40
EFE-4140	16	18	6	14	5	6	5	5	4	5	3	6	42