

GAS GROUP IIC

GUB/EMH... Series with window - Copper free aluminium or Stainless Steel AISI 316 L

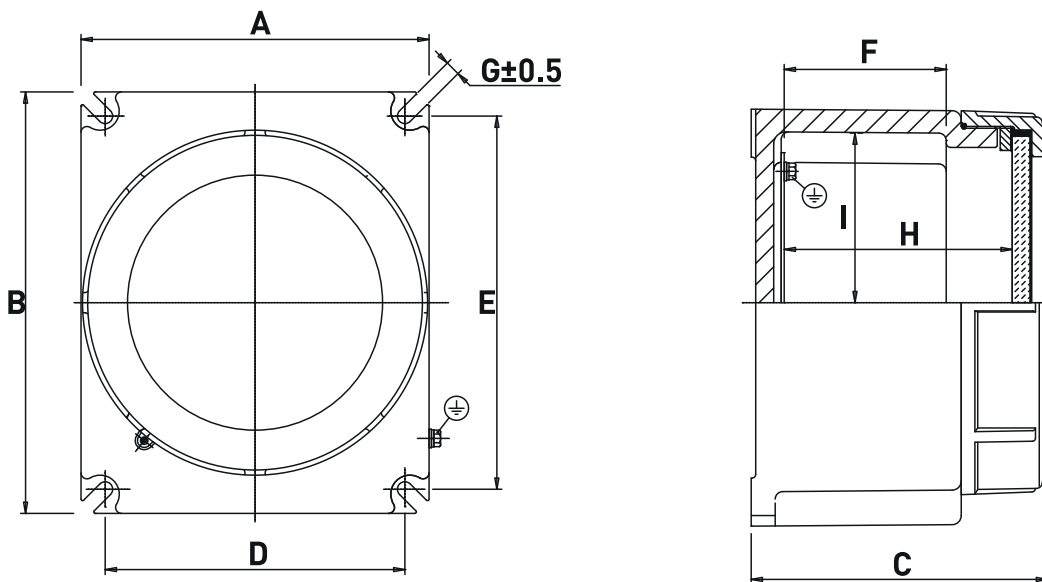


GUB/EMH... series instrument housings are based on the features of our GUB... enclosures and offer Ex d IIC mode of protection. They are suitable for hazardous areas of industrial plants for indoor and outdoor applications.

TECHNICAL FEATURES

Material	Aluminium with low content of copper Stainless steel AISI 316 L (upon request) The sides A,B & C can be increased/decrease of 10%
IP rating	IP66
Ambient temperature range	-50°C to +55°C (ATEX) -60°C to +60°C (IECEX)
Approvals (Complete enclosures)	Certified 00ATEX0033X IECEX BKI 15.0003 TR CU
Marking	II 2 GD Ex d IIC T(*) Gb Ex tb IIIC T(*) Db IP66 * T6/T85°C, T5/T100°C, T4/T135°C
Surface treatment	Green colour polyurethane painting cycle RAL6003 (other colour available upon request)
Entries	Metric pitch 1.5, ANSI B1.20.1 NPT, UNI-6125
Standard certificate label	Made by self adhesive UV and corrosion resistant polyester, approved by certified Laboratory.
Optional accessories	Drain/breather valve Internal anticondensate painting Traffolyte/Stainless steel certificate label

Dimensions GUB/EMH..



GUB/EMH.. Series enclosures c/w internal mounting plate - Aluminium

TYPE	DIMENSIONS [mm]							WINDOW DIAMETER	WEIGHT [Kg]
	A	B	C	D	E	F	H		
EMH-160 + PS	210	210	160	180	180	78	115	155	6.00
EMH-175 + PS	232	281	185	202	251	97	141	170	8.90
EMH-200 + PS	257	298	200	227	268	106	150	195	11.90
EMH-230 + PS	295	330	236	259	295	140	189	230	15.80

For complete junction boxes is necessary to ask to the Sales Office.

Maximum number of entries on sides A/B under ATEX directive

TYPE	EMH-160	EMH-175	EMH-200	EMH-230
M20/1/2"	5/5	5/7	7/9	7/9
M25/3/4"	5/5	5/7	7/9	7/9
M32/1"	3/3	5/5	5/7	5/7
M50/1" 1/2	2/2	2/3	2/3	3/5
M63/2"	1/1	2/2	2/2	2/3
M75/2" 1/2	-	1/2	1/2	2/2
M80/3"	-	1/1	1/2	1/2