

GAS GROUP IIC

GUB.. Series - Copper free aluminium or Stainless steel AISI 316 L



GUB.. series enclosures offers Ex d IIC mode of protection. They are suitable for hazardous areas of industrial plants for indoor and outdoor applications. GUB.. QL version can be equipped with following components:

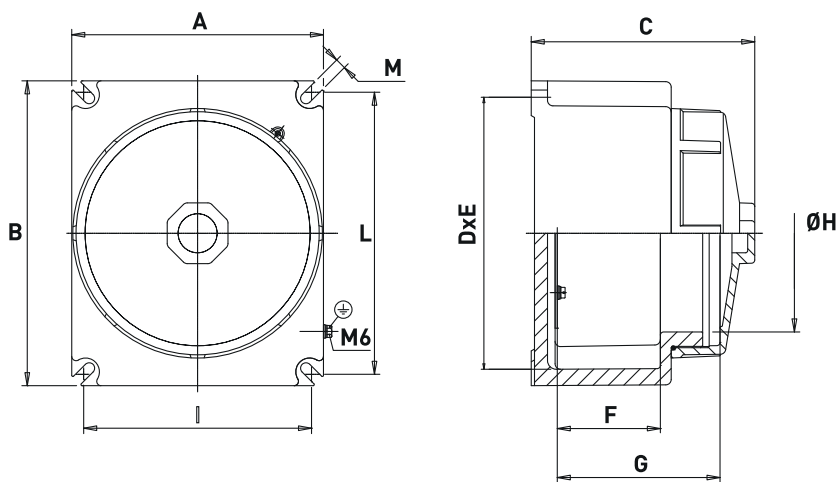
- Push buttons and mechanical operators PL.. Series;
- Rotating switches PSRC Series;
- Signalling lamps PL.. Series;
- Potentiometers;
- Rotating handles SRC-1 or SRC-10;
- Measurement instruments;
- Electric and electronic equipment;
- Windows made of tempered glass (EMH version).

They can be used in different applications such as push button stations, instrument housing, lighting distribution panels, power distribution panels, heat tracing panels, motor protection, etc.

TECHNICAL FEATURES

Material	Aluminium with low content of copper Stainless steel AISI 316 L (upon request) The sides A,B & C can be increased/decrease of 10%
IP rating	IP66
Ambient temperature range	-50°C to +55°C (ATEX) -60°C to +60°C (IECEX)
Approvals	Certified 00ATEX0033X IECEX BKI 15.0003 TR CU
Marking	II 2 GD Ex d IIC T(*) Gb Ex tb IIIC T(*) Db IP66 * T6/T85°C, T5/T100°C, T4/T135°C II 2(1) GD Ex d [ia Ga] IIC T6 Gb Ex tb [ia Da] IIIC T85°C Db IP66 II 2(2) GD Ex d [ib] IIC T6 Gb Ex tb [ib] IIIC T85°C Db IP66
Surface treatment	Green colour polyurethane painting cycle RAL6003 (other colour available upon request)
Entries	Metric pitch 1.5, ANSI B1.20.1 NPT, UNI-6125
Standard certificate label	Made by self adhesive UV and corrosion resistant polyester, approved by certified Laboratory.
Optional accessories	Drain/breather valve Internal anticondensate painting Traffolyte/Stainless steel certificate label Stainless steel construction

Dimensions GUB..



GUB Series enclosures c/w internal mounting plate - Aluminium

TYPE	DIMENSIONS [mm]											WEIGHT [Kg]
	A	B	C	D	E	F	G	ØH	I	L	M	
GUB-01	169	169	152	139	139	62	105	125	150	150	7	3.60
GUB-02	190	190	164	160	160	63	113	144	170	170	8	4.70
GUB-03	210	210	179	180	180	78	127	167	190	190	8	6.00
GUB-04	232	281	206	202	251	97	152	183	210	260	8	8.90
GUB-05	257	298	222	227	268	106	163	206	235	275	8	11.90
GUB-06	295	330	248	259	295	140	203	242	270	305	10	15.80

For complete junction boxes is necessary to ask to the Sales Office.

Note: For installations in either Zone 1 or in the presence of Group IIC gases, barrier glands are required. Please refer to EN-60079-14.

Maximum number of entries on sides A/B

TYPE	GUB-01	GUB-02	GUB-03	GUB-04	GUB-05	GUB-06
M20/1/2"	3/3	5/5	5/5	5/7	7/9	7/9
M25/3/4"	3/3	5/5	5/5	5/7	7/9	7/9
M32/1"	2/2	3/3	3/3	5/5	5/7	5/7
M50/1" 1/2	1/1	1/1	2/2	2/3	2/3	3/5
M63/2"	1/1	1/1	1/1	2/2	2/2	2/3
M75/2" 1/2	-	-	-	1/2	1/2	2/2
M80/3"	-	-	-	1/1	1/2	1/2