

JUMO GmbH & Co. KG
Delivery address: Mackenrodtstraße 14
36039 Fulda, Germany
Postal address: 36035 Fulda, Germany
Phone: +49 661 6003-0
Fax: +49 661 6003-607
Email: mail@jumo.net
Internet: www.jumo.net

JUMO Instrument Co. Ltd.
JUMO House
Temple Bank, Riverway
Harlow, Essex, CM20 2DY, UK
Phone: +44 1279 63 55 33
Fax: +44 1279 62 50 29
Email: sales@jumo.co.uk
Internet: www.jumo.co.uk

JUMO Process Control, Inc.
6733 Myers Road
East Syracuse, NY 13057, USA
Phone: +1 315 437 5866
Fax: +1 315 437 5860
Email: info.us@jumo.net
Internet: www.jumousa.com



JUMO MAERA S26

Level probe

Applications

Level and filling level measurement¹

- in storage tanks or reservoirs
- for gray water recycling
- in heating oil and diesel oil tanks

Brief description

The JUMO MAERA S26 level probe is used for the continuous hydrostatic level measurement of liquids. Filling heights between 2.5 mWS and 25 mWS (water column) can be achieved in ventilated tanks.

When the level probe is immersed into a liquid, a liquid column emerges above the probe. The liquid column increases as the probe is immersed deeper into the liquid and creates a hydrostatic pressure on the measuring system by the force of its weight. The measured pressure is transmitted as a standard signal. The signal is linearly proportional to the rising liquid.

The surrounding pressure is realized using a special cable with an integrated pressure equalization hose. Any variations in air pressure are thereby automatically compensated for and the surrounding pressure is therefore taken into account.

The level probe is approved for use in drinking water.

Further information about our JUMO MAERA series level probes can be found in the the "Level Probes – Hydrostatic Level and Level Measurement" brochure under Documentation.

Customer benefits

- **process reliable**
The core of the level probe is a piezoresistive measuring cell, which features high overload resistance, and is particularly stable in the long term, reliable, and temperature resistant. The level probes are manufactured entirely from stainless steel and are therefore resistant to many media. A reverse-polarity protection mechanism protects the measuring instrument against damage, ensuring maximum safety during startup.
- **versatile**
The level probe is available in numerous variants for several measuring ranges. The version with several cable materials and process connections provides maximum possible flexibility. A model with greater measuring accuracy is also available, which also meets the most stringent requirements.



Type 402090/... with process connection 658

Special features

- level probe for continuous level measurement in liquids
- measuring ranges: 0.25 bar to 2.5 bar (0.2 % MSP² also available) (2.50 mWS to 25 mWS)
- medium temperature: 0 °C to 50 °C
- piezoresistive silicon sensor
- accuracy: 0.3 % MSP (linearity) (0.2 % MSP also available)
- excellent long-term stability
- high overload resistance
- reverse polarity protection
- suitable for indoor mounting

¹ These recommendations are based on many years of experience; however, in individual cases they may not be fully applicable. We would be happy to provide further information, including regarding additional applications.

² MSP = measuring span

Approvals and approval marks



JUMO GmbH & Co. KG
 Delivery address: Mackenrodtstraße 14
 36039 Fulda, Germany
 Postal address: 36035 Fulda, Germany
 Phone: +49 661 6003-0
 Fax: +49 661 6003-607
 Email: mail@jumo.net
 Internet: www.jumo.net

JUMO Instrument Co. Ltd.
 JUMO House
 Temple Bank, Riverway
 Harlow, Essex, CM20 2DY, UK
 Phone: +44 1279 63 55 33
 Fax: +44 1279 62 50 29
 Email: sales@jumo.co.uk
 Internet: www.jumo.co.uk

JUMO Process Control, Inc.
 6733 Myers Road
 East Syracuse, NY 13057, USA
 Phone: +1 315 437 5866
 Fax: +1 315 437 5860
 Email: info.us@jumo.net
 Internet: www.jumousa.com



Technical data

General Information

| | |
|-------------------------|--|
| Reference conditions | DIN 16086 and DIN EN 60770 |
| Measuring principle | Piezoresistive sensor with stainless steel separating membrane |
| Pressure transfer means | Synthetic oil |
| Admissible load changes | > 10 million, 0 to 100 % measuring range |
| Mounting position | Vertical/hanging from the cable |

Measuring range and accuracy

| Measuring range bar | Linearity ^a % MSP ^e | Accuracy at | | Long-term stability ^b % MSP per year | Overload capacity bar | Burst pressure bar |
|---------------------------------|--|-----------------------------|----------------------------------|--|-----------------------------|--------------------------|
| | | 20 °C ^c % MSP | 0 to 50 °C ^d % MSP | | | |
| 0 to 0.25 bar relative pressure | 0.3 | 0.5 | 1.6 | ≤ 0.3 | 0.75 | 1 |
| 0 to 0.4 bar relative pressure | 0.3 | 0.5 | 1.6 | | 1.2 | 1.6 |
| 0 to 0.6 bar relative pressure | 0.3 | 0.5 | 1.3 | | 1.8 | 2.4 |
| 0 to 1 bar relative pressure | 0.3 | 0.5 | 1.1 | | 3 | 4 |
| 0 to 1.6 bar relative pressure | 0.3 | 0.5 | 1.1 | | 4.8 | 6,4 |
| 0 to 2.5 bar relative pressure | 0.3 | 0.5 | 1.1 | | 7.5 | 10 |
| 0 to 4 bar relative pressure | 0.2 | 0.3 | 0.8 | | 12 | 16 |
| 0 to 6 bar relative pressure | 0.2 | 0.3 | 0.8 | | 18 | 24 |
| 0 to 10 bar relative pressure | 0.2 | 0.3 | 0.8 | | 30 | 40 |

^a Linearity according to limit point setting

^b Reference conditions EN 61298-1

^c Includes: linearity, hysteresis, repeatability, deviation from measuring range start (offset), and measuring range end

^d Includes: linearity, hysteresis, repeatability, deviation from measuring range start (offset) and measuring range end, thermal influences on measuring range start (offset), and measuring span

^e MSP = measuring span

JUMO GmbH & Co. KG
 Delivery address: Mackenrodtstraße 14
 36039 Fulda, Germany
 Postal address: 36035 Fulda, Germany
 Phone: +49 661 6003-0
 Fax: +49 661 6003-607
 Email: mail@jumo.net
 Internet: www.jumo.net

JUMO Instrument Co. Ltd.
 JUMO House
 Temple Bank, Riverway
 Harlow, Essex, CM20 2DY, UK
 Phone: +44 1279 63 55 33
 Fax: +44 1279 62 50 29
 Email: sales@jumo.co.uk
 Internet: www.jumo.co.uk

JUMO Process Control, Inc.
 6733 Myers Road
 East Syracuse, NY 13057, USA
 Phone: +1 315 437 5866
 Fax: +1 315 437 5860
 Email: info.us@jumo.net
 Internet: www.jumousa.com



Output

| | |
|---|---|
| Analog output Current Output 402 Output 405 Output 406 Voltage Output 412 Output 415 Output 418 Output 420 | 0 to 20 mA, three-wire 4 to 20 mA, two-wire 4 to 20 mA, three-wire DC 0.5 to 4.5 V, three-wire, ratiometric 10 to 90 % of the voltage supply DC 0 to 10 V, three-wire DC 1 to 5 V, three-wire DC 1 to 6 V, three-wire |
| Step response T ₉₀ | ≤ 10 ms |
| Burden Current 0 to 20 mA, three-wire 4 to 20 mA, two-wire 4 to 20 mA, three-wire Voltage DC 0.5 to 4.5 V, three-wire DC 0 to 10 V, three-wire DC 1 to 5 V, three-wire DC 1 to 6 V, three-wire | $R_L \leq (U_B - 12 \text{ V}) \div 0.02 \text{ A } (\Omega)$ $R_L \leq (U_B - 10 \text{ V}) \div 0.02 \text{ A } (\Omega)$ $R_L \leq (U_B - 12 \text{ V}) \div 0.02 \text{ A } (\Omega)$ $R_L \geq 50 \text{ k}\Omega$ $R_L \geq 10 \text{ k}\Omega$ $R_L \geq 10 \text{ k}\Omega$ $R_L \geq 10 \text{ k}\Omega$ |

Mechanical features

Ensure the medium durability of the material!

| | |
|---|---|
| Materials Process connection Measuring membrane Case Sealing cone Outer sheath Pressure compensation hose | Stainless steel 316 Ti Stainless steel 316 L Stainless steel 316 Ti FPM, EPDM Basic type: PE (black), PUR (pepple gray), FEP (black) Basic type with submersible motor cable: EPR (blue) PA |
| Weight PE cable PUR cable FEP cable EPR cable | 200 g (without cable) plus 1500 g for process connection with mounted protective cage (without cable) Approx. 63 g/m Approx. 115 g/m Approx. 90 g/m Approx. 92 g/m |
| UV resistance PE, PUR cable FEP cable | According to VDE 0207, test method EN 60811 part 2-1, section 8 According to DIN ISO 4892-2 |
| Diameter | 25 mm |

JUMO GmbH & Co. KG
 Delivery address: Mackenrodtstraße 14
 36039 Fulda, Germany
 Postal address: 36035 Fulda, Germany
 Phone: +49 661 6003-0
 Fax: +49 661 6003-607
 Email: mail@jumo.net
 Internet: www.jumo.net

JUMO Instrument Co. Ltd.
 JUMO House
 Temple Bank, Riverway
 Harlow, Essex, CM20 2DY, UK
 Phone: +44 1279 63 55 33
 Fax: +44 1279 62 50 29
 Email: sales@jumo.co.uk
 Internet: www.jumo.co.uk

JUMO Process Control, Inc.
 6733 Myers Road
 East Syracuse, NY 13057, USA
 Phone: +1 315 437 5866
 Fax: +1 315 437 5860
 Email: info.us@jumo.net
 Internet: www.jumousa.com



Environmental influences

| | |
|--|--|
| Inadmissible temperatures Medium, environment | 0 to 50 °C The device must not freeze in the medium! A restriction may be required depending on the medium. |
| Storage | -20 to +80 °C, dry |
| Electromagnetic compatibility (EC) Interference emission Interference immunity | Class B ^a , according to EN 61326-1 Industrial requirements, according to EN 61326-2-3 |
| Protection type | IP68, according to EN 60529, submersible to 60 m |

^a The product is suitable for industrial use as well as for households and small businesses.

Electrical data

| | |
|---|--|
| Voltage Supply U _B ^a 0 mA to 20 mA, three-wire 4 mA to 20 mA, two-wire 4 mA to 20 mA, three-wire DC 0.5 V to 4.5 V, three-wire DC 0 V to 10 V, three-wire DC 1 V to 5 V, three-wire DC 1 V to 6 V, three-wire Nominal voltage | DC 11.5 V to 30 V DC 10 V to 30 V DC 11.5 V to 30 V DC 5 V DC 11.5 V to 30 V DC 10 V to 30 V DC 10 V to 30 V DC 24 V |
| Reverse voltage protection | Yes (except DC 0.5 to 4.5 V, three-wire) |
| Max. current consumption | ≤ 25 mA |
| Electrical circuit Requirements | SELV The device must be equipped with an electrical circuit that meets the requirements of EN 61010-1 with regard to "Limited-energy circuits". |

^a Residual ripple: The voltage peaks must not exceed or fall below the specified voltage supply values!

Electrical connection

6-core, shielded cable with integrated pressure compensation hose, AWG 24 with ferrules

| | |
|-----------------------------------|---|
| Outer diameter | Approx. 8.4 mm |
| Conductor cross section | 0.25 mm ² |
| Bending radius Moving Fixed | 160 mm 120 mm It is vital to take into account that if the protective hose is kinked or pinched, this will prevent ambient pressure compensation. |
| Tensile force | Up to 400 N |
| Admissible medium temperatures | -20 to +60 °C (depending on the medium) |

JUMO GmbH & Co. KG

Delivery address: Mackenrodtstraße 14
36039 Fulda, Germany
Postal address: 36035 Fulda, Germany
Phone: +49 661 6003-0
Fax: +49 661 6003-607
Email: mail@jumo.net
Internet: www.jumo.net

JUMO Instrument Co. Ltd.

JUMO House
Temple Bank, Riverway
Harlow, Essex, CM20 2DY, UK
Phone: +44 1279 63 55 33
Fax: +44 1279 62 50 29
Email: sales@jumo.co.uk
Internet: www.jumo.co.uk

JUMO Process Control, Inc.

6733 Myers Road
East Syracuse, NY 13057, USA
Phone: +1 315 437 5866
Fax: +1 315 437 5860
Email: info.us@jumo.net
Internet: www.jumousa.com

**for level probe with EPR cable (electrical connection 26)**

2-core cable without pressure compensation with ferrules

| | |
|--------------------------------|-------------------|
| Outer diameter | Approx. 8.3 mm |
| Conductor cross section | 1 mm ² |
| Bending radius | |
| Moving | 40 mm |
| Fixed | 30 mm |
| Tensile force | Up to 400 N |
| Admissible medium temperatures | -40 to +60 °C |

Approvals and approval marks

| | |
|------------------------------------|---|
| CSA | |
| Testing agency | CSA Group |
| Certificates/certification numbers | 70209471 |
| Inspection basis | CAN/CSA-C22.2 No. 61010-1-12, UL Std. No. 61010-1 (3rd Edition) |
| Valid for | Extra code 067 |
| ACS | |
| Testing agency | Eurofins Expertises Environnementales |
| Certificates/certification numbers | 16 ACC NY 235 |
| Inspection basis | DGS/SD7A No 2002-571 |
| Valid for | Extra code 881 |

JUMO GmbH & Co. KG
 Delivery address: Mackenrodtstraße 14
 36039 Fulda, Germany
 Postal address: 36035 Fulda, Germany
 Phone: +49 661 6003-0
 Fax: +49 661 6003-607
 Email: mail@jumo.net
 Internet: www.jumo.net

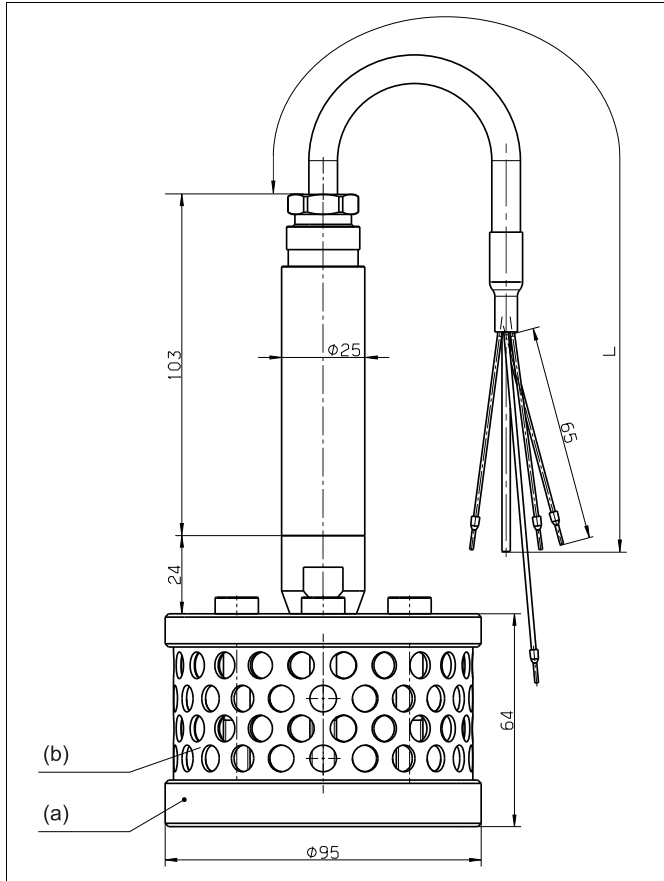
JUMO Instrument Co. Ltd.
 JUMO House
 Temple Bank, Riverway
 Harlow, Essex, CM20 2DY, UK
 Phone: +44 1279 63 55 33
 Fax: +44 1279 62 50 29
 Email: sales@jumo.co.uk
 Internet: www.jumo.co.uk

JUMO Process Control, Inc.
 6733 Myers Road
 East Syracuse, NY 13057, USA
 Phone: +1 315 437 5866
 Fax: +1 315 437 5860
 Email: info.us@jumo.net
 Internet: www.jumousa.com



Dimensions

With mounted cage



L Cable length according to customer preference

(a) Protective cage

(b) Perforated metal grid \varnothing 8 mm

The stainless steel version with mounted protective cage is designed for difficult level measurements where sludge, turbulence or currents may be present (e.g. pumping stations, wastewater lifting stations).

The additional weight reduces effects on the output signal with strongly moving media.

JUMO GmbH & Co. KG
 Delivery address: Mackenrodtstraße 14
 36039 Fulda, Germany
 Postal address: 36035 Fulda, Germany
 Phone: +49 661 6003-0
 Fax: +49 661 6003-607
 Email: mail@jumo.net
 Internet: www.jumo.net

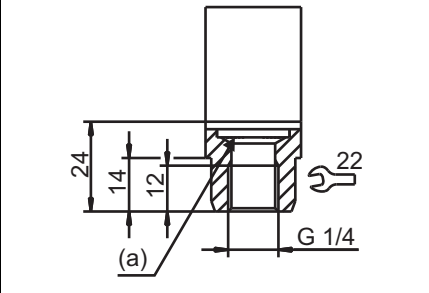
JUMO Instrument Co. Ltd.
 JUMO House
 Temple Bank, Riverway
 Harlow, Essex, CM20 2DY, UK
 Phone: +44 1279 63 55 33
 Fax: +44 1279 62 50 29
 Email: sales@jumo.co.uk
 Internet: www.jumo.co.uk

JUMO Process Control, Inc.
 6733 Myers Road
 East Syracuse, NY 13057, USA
 Phone: +1 315 437 5866
 Fax: +1 315 437 5860
 Email: info.us@jumo.net
 Internet: www.jumousa.com



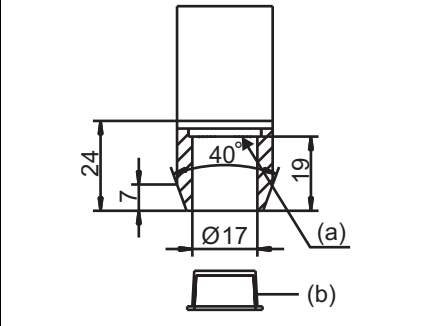
Process connections

567
 G 1/4 inside



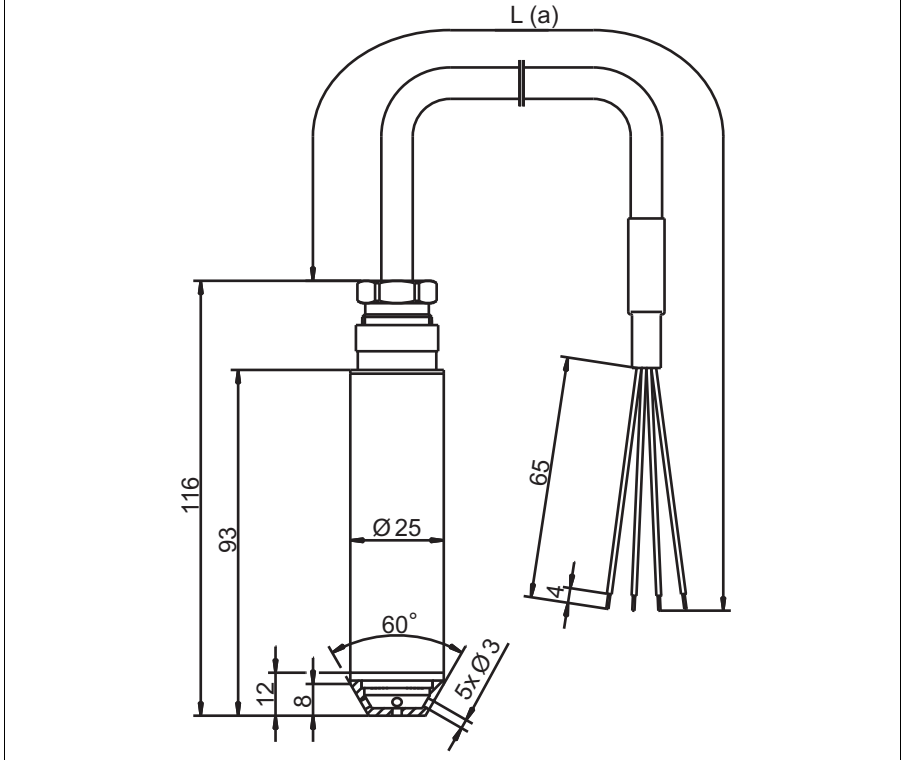
(a) Sensitive membrane

659
 Connection open at the bottom



(a) Sensitive membrane
 (b) Protective cap

658
 Connection closed at the bottom



L (a) Cable length according to customer preference

JUMO GmbH & Co. KG
 Delivery address: Mackenrodtstraße 14
 36039 Fulda, Germany
 Postal address: 36035 Fulda, Germany
 Phone: +49 661 6003-0
 Fax: +49 661 6003-607
 Email: mail@jumo.net
 Internet: www.jumo.net

JUMO Instrument Co. Ltd.
 JUMO House
 Temple Bank, Riverway
 Harlow, Essex, CM20 2DY, UK
 Phone: +44 1279 63 55 33
 Fax: +44 1279 62 50 29
 Email: sales@jumo.co.uk
 Internet: www.jumo.co.uk

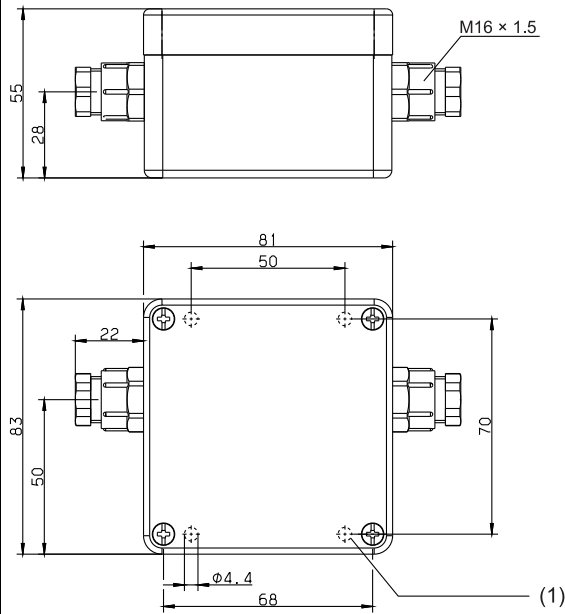
JUMO Process Control, Inc.
 6733 Myers Road
 East Syracuse, NY 13057, USA
 Phone: +1 315 437 5866
 Fax: +1 315 437 5860
 Email: info.us@jumo.net
 Internet: www.jumousa.com



Accessories

Terminal box with pressure compensation

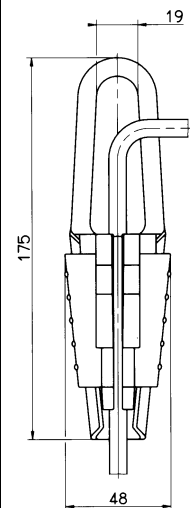
Part no. 00061206



(1) Fastening hole

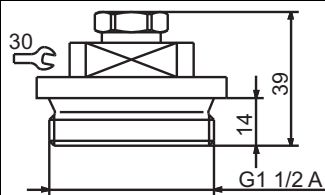
Cable clamp

Part no. 00061389



Sealing screw

Part no. 00333329



JUMO GmbH & Co. KG
 Delivery address: Mackenrodtstraße 14
 36039 Fulda, Germany
 Postal address: 36035 Fulda, Germany
 Phone: +49 661 6003-0
 Fax: +49 661 6003-607
 Email: mail@jumo.net
 Internet: www.jumo.net


JUMO Instrument Co. Ltd.
 JUMO House
 Temple Bank, Riverway
 Harlow, Essex, CM20 2DY, UK
 Phone: +44 1279 63 55 33
 Fax: +44 1279 62 50 29
 Email: sales@jumo.co.uk
 Internet: www.jumo.co.uk

JUMO Process Control, Inc.
 6733 Myers Road
 East Syracuse, NY 13057, USA
 Phone: +1 315 437 5866
 Fax: +1 315 437 5860
 Email: info.us@jumo.net
 Internet: www.jumousa.com



Connection diagram

The connection diagram in the data sheet provides preliminary information about the connection options. For the electrical connection, only use the installation instructions or the operating manual. The knowledge and the correct technical compliance with the safety information and warnings contained in these documents are mandatory for mounting, electrical connection, and startup as well as for safety during operation.

| Connection | | Terminal assignment |
|---|------------------------------------|---|
| | |  |
| | | Cable ^a |
| 0 to 20 mA, three-wire (output 402) | | |
| Voltage supply DC 11.5 to 30 V Rated voltage supply DC 24 V | U_B ^b 0 V/S- S+ | White Gray Yellow |
| 4 to 20 mA, two-wire (output 405) | | |
| Voltage supply DC 10 to 30 V Rated voltage supply DC 24 V | $U_{B/S+}$ 0 V/S- | White Gray |
| 4 to 20 mA, two-wire (output 405 and EPR cable [electrical connection 26]) | | |
| Voltage supply DC 10 to 30 V Rated voltage supply DC 24 V | $U_{B/S+}$ 0 V/S- | Brown Blue |
| 4 to 20 mA, three-wire (output 406) | | |
| Voltage supply DC 11.5 to 30 V Rated voltage supply DC 24 V | U_B 0 V/S- S+ | White Gray Yellow |
| DC 0.5 to 4.5 V ratiometric (output 412) | | |
| Voltage supply DC 5 V Rated voltage supply DC 5 V | U_B 0 V/S- S+ | White Gray Yellow |
| DC 0 to 10 V, three-wire (output 415) | | |
| Voltage supply DC 11.5 to 30 V Rated voltage supply DC 24 V | U_B 0 V/S- S+ | White Gray Yellow |
| DC 1 to 5 V, three-wire (output 418) DC 1 to 6 V, three-wire (output 420) | | |
| Voltage supply DC 10 to 30 V Rated voltage supply DC 24 V | U_B 0 V/S- S+ | White Gray Yellow |
| Shielding | | |
| Caution: Ground the device! Ground all connected devices (such as pumps and valves) to the same potential! | | Black |

^a For cable specifications, see installation instructions B 401015.4, chapter 6 "Installation and mounting".

^b The voltage peaks must not exceed or fall below the specified voltage supply values!

JUMO GmbH & Co. KG
 Delivery address: Mackenrodtstraße 14
 36039 Fulda, Germany
 Postal address: 36035 Fulda, Germany
 Phone: +49 661 6003-0
 Fax: +49 661 6003-607
 Email: mail@jumo.net
 Internet: www.jumo.net

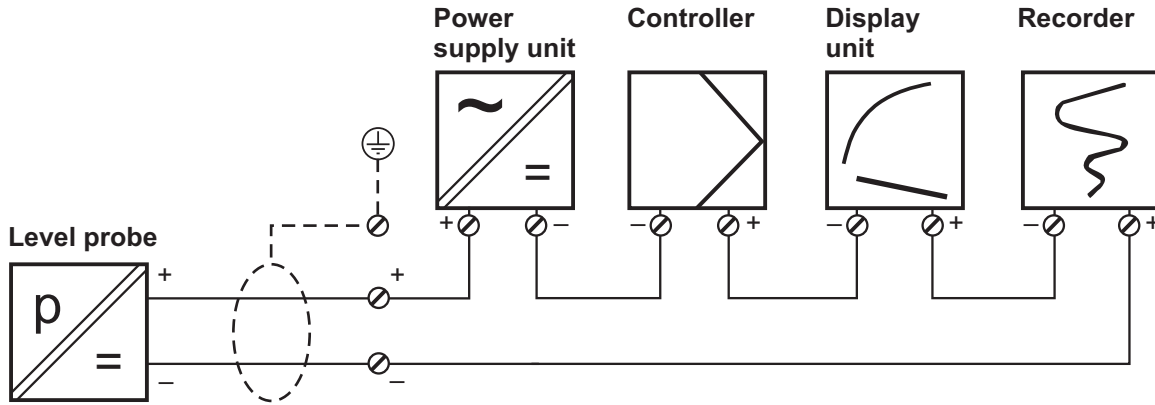
JUMO Instrument Co. Ltd.
 JUMO House
 Temple Bank, Riverway
 Harlow, Essex, CM20 2DY, UK
 Phone: +44 1279 63 55 33
 Fax: +44 1279 62 50 29
 Email: sales@jumo.co.uk
 Internet: www.jumo.co.uk

JUMO Process Control, Inc.
 6733 Myers Road
 East Syracuse, NY 13057, USA
 Phone: +1 315 437 5866
 Fax: +1 315 437 5860
 Email: info.us@jumo.net
 Internet: www.jumousa.com

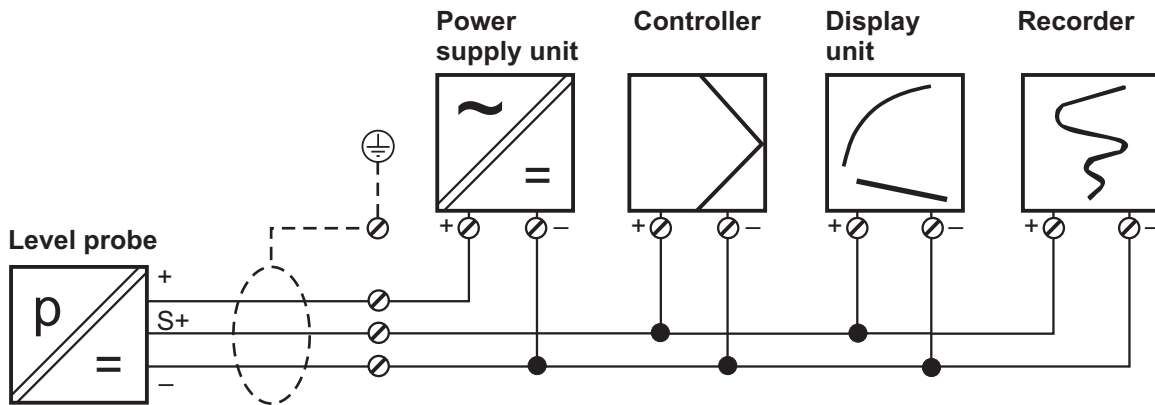


Connection example

Current output



Voltage output



JUMO GmbH & Co. KG
 Delivery address: Mackenrodtstraße 14
 36039 Fulda, Germany
 Postal address: 36035 Fulda, Germany
 Phone: +49 661 6003-0
 Fax: +49 661 6003-607
 Email: mail@jumo.net
 Internet: www.jumo.net

JUMO Instrument Co. Ltd.
 JUMO House
 Temple Bank, Riverway
 Harlow, Essex, CM20 2DY, UK
 Phone: +44 1279 63 55 33
 Fax: +44 1279 62 50 29
 Email: sales@jumo.co.uk
 Internet: www.jumo.co.uk

JUMO Process Control, Inc.
 6733 Myers Road
 East Syracuse, NY 13057, USA
 Phone: +1 315 437 5866
 Fax: +1 315 437 5860
 Email: info.us@jumo.net
 Internet: www.jumousa.com



Order details

| | |
|------------|--|
| | (1) Basic type |
| 402090/000 | JUMO MAERA S26 – Level probe |
| 402090/023 | JUMO MAERA S26 – Level probe with improved accuracy ^a |
| 402090/999 | JUMO MAERA S26 – Level probe, special version ^b |
| | (2) Input |
| 451 | 0 to 0.25 bar relative pressure |
| 452 | 0 to 0.4 bar relative pressure |
| 453 | 0 to 0.6 bar relative pressure |
| 454 | 0 to 1 bar relative pressure |
| 455 | 0 to 1.6 bar relative pressure |
| 456 | 0 to 2.5 bar relative pressure |
| 457 | 0 to 4 bar relative pressure |
| 458 | 0 to 6 bar relative pressure |
| 459 | 0 to 10 bar relative pressure |
| 999 | Special measuring range for relative pressure ^c |
| | (3) Output |
| 402 | 0 to 20 mA, three-wire |
| 405 | 4 to 20 mA, two-wire |
| 406 | 4 to 20 mA, three-wire |
| 412 | 0.5 to 4.5 V, three-wire |
| 415 | 0 to 10 V, three-wire |
| 418 | 1 to 5 V, three-wire |
| 420 | 1 to 6 V, three-wire |
| | (4) Process connection |
| 567 | G 1/4 inside |
| 658 | Connection closed at the bottom |
| 659 | Connection open at the bottom |
| 759 | Mounted protective cage Ø 95 mm |
| | (5) Process connection material |
| 20 | CrNi (stainless steel) |
| | (6) Electrical connection type |
| 14 | PUR cable, pebble gray, shielded, UV-resistant |
| 15 | PE-LD cable, black, shielded, UV-resistant |
| 25 | FEP cable, black, shielded, UV-resistant |
| 26 | Submersible motor cable, EPR cable, blue ^d |
| | (7) Cable length of the connecting cable |
| 005 | 5 m |
| 010 | 10 m |
| ... | ... |
| 100 | 100 m |

JUMO GmbH & Co. KG
 Delivery address: Mackenrodtstraße 14
 36039 Fulda, Germany
 Postal address: 36035 Fulda, Germany
 Phone: +49 661 6003-0
 Fax: +49 661 6003-607
 Email: mail@jumo.net
 Internet: www.jumo.net

JUMO Instrument Co. Ltd.
 JUMO House
 Temple Bank, Riverway
 Harlow, Essex, CM20 2DY, UK
 Phone: +44 1279 63 55 33
 Fax: +44 1279 62 50 29
 Email: sales@jumo.co.uk
 Internet: www.jumo.co.uk

JUMO Process Control, Inc.
 6733 Myers Road
 East Syracuse, NY 13057, USA
 Phone: +1 315 437 5866
 Fax: +1 315 437 5860
 Email: info.us@jumo.net
 Internet: www.jumousa.com



| (8) Extra codes | |
|-----------------|--|
| 000 | None |
| 067 | CSA approval |
| 593 | Cutting ring fitting (preparation for protection tube) |
| 631 | Improved moisture and vibration protection |
| 881 | Drinking water approval ^e |
| 917 | EPDM seal |

^a Measuring devices with improved accuracy can only be supplied with output 4 to 20 mA, two-wire, **and** measuring ranges from 0 to 0.6 bar.

^b Without CSA approval




^c Measuring ranges up to 10 bar (100 mWS) are available with CSA approval.

^d Only available with 4 to 20 mA, two-wire.

^e Only available with EPDM seal, PE-LED cable, and submersible motor cable, EPR cable.

| | | | | | | | | | | | | | | | |
|----------------------|----------------------|-----|----------------------|-----|----------------------|-----|----------------------|-----|----------------------|---|----------------------|---|-----|---|-----|
| Order code | (1) | (2) | (3) | (4) | (5) | (6) | (7) | (8) | | | | | | | |
| | <input type="text"/> | - | <input type="text"/> | - | <input type="text"/> | - | <input type="text"/> | - | <input type="text"/> | / | <input type="text"/> | | | | |
| Order example | 402090/000 | - | 454 | - | 405 | - | 659 | - | 20 | - | 15 | - | 010 | / | 000 |

Accessories

| Item | Description | Part no. |
|---|--|----------|
| Terminal box with pressure compensation element  | The terminal box is used for secure installation of the level probe cable. The end of the pressure equalization hose is always protected from precipitate and condensation (IP65). The remaining distribution can be performed with a cable without a pressure equalization hose. The terminal case should be mounted as close as possible to the medium surface while still outside the medium to ensure the system is implemented cost-effectively and in the best possible way. | 00061206 |
| Cable clamp  | The cable clamp holds the probe in the liquid at a defined depth and provides strain relief. Use of the cable clamp ensures that the cable is not deformed in an unacceptable manner. The cable clamp is compatible with all JUMO level probes. The clamping range is 5.5 mm to 10.5 mm. The maximum tensile strength is 2.5 kN. The case is made of hot-dip galvanized steel sheet. The clamping jaws and guide clips are made of glass fiber reinforced polyamide. A stainless steel variant is also available upon request. | 00061389 |
| Sealing screw  | For closed containers or water wells with a well head, the cable should be guided through and fastened by a sealing screw. The sealing screw is made up of a G 1 1/2" thread and is used to route the cable. | 00333329 |
| Pressure compensation filter for cable | The pressure compensation filter is a breathable filter that ensures aeration and exhaust-air ventilation without moisture penetrating. It is fitted at the end of the special cable. | 00382632 |