

JUMO GmbH & Co. KG
Delivery address: Mackenrodtstraße 14
36039 Fulda, Germany
Postal address: 36035 Fulda, Germany
Phone: +49 661 6003-0
Fax: +49 661 6003-607
Email: mail@jumo.net
Internet: www.jumo.net

JUMO Instrument Co. Ltd.
JUMO House
Temple Bank, Riverway
Harlow, Essex, CM20 2DY, UK
Phone: +44 1279 63 55 33
Fax: +44 1279 62 50 29
Email: sales@jumo.co.uk
Internet: www.jumo.co.uk

JUMO Process Control, Inc.
6733 Myers Road
East Syracuse, NY 13057, USA
Phone: +1 315 437 5866
Fax: +1 315 437 5860
Email: info.us@jumo.net
Internet: www.jumousa.com



JUMO MAERA S28

Level probe

Applications

Level and filling level measurement in¹

- Water and sewage water management
- Hydroelectric power stations
- Well and surface water

Brief description

The JUMO MAERA S28 level probe is used for the continuous hydrostatic level measurement of liquids. Filling heights between 2.50 mWS and 100 mWS (water column) can be achieved in ventilated tanks.

When the level probe is immersed into a liquid, a liquid column emerges above the probe. The liquid column increases as the probe is immersed deeper into the liquid and creates a hydrostatic pressure on the measuring system by the force of its weight. The measured pressure is transmitted as a standard signal. The signal is linearly proportional to the rising liquid column.

The surrounding pressure is realized using a special cable with an integrated pressure equalization hose. Any variations in air pressure are therefore automatically compensated for and the surrounding pressure is taken into account. The installation can be performed in both indoor and outdoor areas.

The level probe is equipped as standard with an integrated overvoltage protection, which protects the level probe against damage in the event of lightning strikes in surrounding water. With regard to the temperature-dependent density of a liquid, the medium temperature can be recorded with an integrated temperature sensor Pt100 during level measurement. This temperature value can then be used to compensate.

The level probe is approved for use in drinking water.

Further information on our level probes from the JUMO MAERA series can be found in the brochure "Level probes – Hydrostatic level and level measurement" under Documentation.

Customer benefits

- **Process-reliable**
The core of the level probe is a piezoresistive measuring cell, which features high overload resistance, and is particularly stable in the long term, reliable, and temperature-resistant. An integrated overvoltage protection prevents the effects of lightning that could lead to destruction of the level probe, thereby offering maximum process reliability. A reverse-polarity protection mechanism protects the measuring instrument against damage, ensuring maximum safety during startup.
- **Versatile**
The simultaneous measurement of level and temperature may be optionally achieved with a Pt100 temperature sensor. Costs are minimized as a result of very simple installation and startup. An optimized variant of the level probe is available for use in "deep wells".

¹ These recommendations are based on many years of experience; however, in individual cases they may not be fully applicable. We would be happy to provide further information, including regarding additional applications.



Type 404392/... with process connection 658

Special features

- Level probe for continuous level measurement in liquids
- Measuring ranges: 0.25 bar to 10 bar (2.5 to 100 mWS)
- Medium temperature: 0 °C to 50 °C
- Piezoresistive silicon sensor
- Accuracy: 0.3% MSP² (linearity)
- Excellent long-term stability
- High overload resistance
- Integrated overvoltage protection
- Reverse-polarity protection mechanism
- Optionally available with integrated temperature sensor Pt100
- Suitable for indoor and outdoor installations

² MSP = measuring span

JUMO GmbH & Co. KG
 Delivery address: Mackenrodtstraße 14
 36039 Fulda, Germany
 Postal address: 36035 Fulda, Germany
 Phone: +49 661 6003-0
 Fax: +49 661 6003-607
 Email: mail@jumo.net
 Internet: www.jumo.net

JUMO Instrument Co. Ltd.
 JUMO House
 Temple Bank, Riverway
 Harlow, Essex, CM20 2DY, UK
 Phone: +44 1279 63 55 33
 Fax: +44 1279 62 50 29
 Email: sales@jumo.co.uk
 Internet: www.jumo.co.uk

JUMO Process Control, Inc.
 6733 Myers Road
 East Syracuse, NY 13057, USA
 Phone: +1 315 437 5866
 Fax: +1 315 437 5860
 Email: info.us@jumo.net
 Internet: www.jumousa.com



Technical data

General Information

Reference conditions	DIN 16086 and DIN EN 60770
Measuring principle	Piezoresistive sensor with stainless steel separating membrane
Pressure transfer means	Synthetic oil
Admissible load changes	> 10 million, 0 to 100 % measuring range
Mounting position	Vertical/hanging from the cable

Measuring range and accuracy

Measuring range bar	Linearity ^a % MSP ^e	Accuracy at		Long-term stability ^b % MSP per year	Overload capability bar	Burst pressure bar
		20 °C ^c % MSP	0 to 50 °C ^d % MSP			
0 to 0.25 bar relative pressure	0.3	0.5	1.6	≤ 0.2	0.75	1
0 to 0.4 bar relative pressure	0.3	0.5	1.6		1.2	1.6
0 to 0.6 bar relative pressure	0.3	0.5	1.3		1.8	2.4
0 to 1 bar relative pressure	0.3	0.5	1.1		3	4
0 to 1.6 bar relative pressure	0.3	0.5	1.1		4.8	6.4
0 to 2.5 bar relative pressure	0.3	0.5	1.1		7.5	10
0 to 4 bar relative pressure	0.2	0.3	0.8		12	16
0 to 6 bar relative pressure	0.2	0.3	0.8		18	24
0 to 10 bar relative pressure	0.2	0.3	0.8		30	40

^a Linearity according to limit point setting

^b Reference conditions EN 61298-1

^c Includes: linearity, hysteresis, repeatability, deviation of measuring range initial value and measuring range end value

^d Includes: linearity, hysteresis, repeatability, deviation of measuring range initial value and measuring range end value, thermal effect on measuring range start and measuring span

^e MSP = measuring span

Output

Analog output Current	4 to 20 mA, two-wire
Step response T ₉₀	≤ 10 ms
Burden Current	$R_L \leq (U_B - 10 \text{ V}) \div 0.02 \text{ A} (\Omega)$

JUMO GmbH & Co. KG
 Delivery address: Mackenrodtstraße 14
 36039 Fulda, Germany
 Postal address: 36035 Fulda, Germany
 Phone: +49 661 6003-0
 Fax: +49 661 6003-607
 Email: mail@jumo.net
 Internet: www.jumo.net

JUMO Instrument Co. Ltd.
 JUMO House
 Temple Bank, Riverway
 Harlow, Essex, CM20 2DY, UK
 Phone: +44 1279 63 55 33
 Fax: +44 1279 62 50 29
 Email: sales@jumo.co.uk
 Internet: www.jumo.co.uk

JUMO Process Control, Inc.
 6733 Myers Road
 East Syracuse, NY 13057, USA
 Phone: +1 315 437 5866
 Fax: +1 315 437 5860
 Email: info.us@jumo.net
 Internet: www.jumousa.com



Mechanical features

Ensure the medium durability of the materials!

Materials	
Process connection	Stainless steel 316 Ti
Measuring membrane	Stainless steel 316 L
Case	Stainless steel 316 Ti
Seals	FPM, EPDM
Outer sheath	Basic type 404393/000: PE (black), PUR (peppel gray), FEP (black) Basic type 404393/025: EPR (blue)
Pressure compensation hose	Basic type 404393/000: PA
Weight	400 g (without cable) plus 1500 g for process connection with mounted protective cage (without cable)
PE cable	Approx. 63 g/m, 115 g/m with additional temperature sensor (extra code 007)
PUR cable	Approx. 115 g/m
FEP cable	Approx. 90 g/m
EPR cable	Approx. 92 g/m
UV resistance	
PE, PUR cable	According to VDE 0207, test method EN 60811 part 2-1, section 8
FEP cable	According to DIN ISO 4892-2
Diameter	25 mm

Environmental influences

Admissible temperatures	
Medium, environment	0 to 50 °C The device must not freeze in the medium! A restriction may be required depending on the medium.
Storage	-20 to +80 °C, dry
Electromagnetic compatibility (EC)	
Interference emission	Class B ^a , according to EN 61326-2-3
Interference immunity	Industrial requirements, according to EN 61326-1
Overvoltage protection	Integrated overvoltage protection according to 61000-4-5
Rated leakage current	1 kA
Protection type	IP68, according to EN 60529, submersible to 100 m

^a The product is suitable for industrial use as well as for households and small businesses.

Electrical data

Voltage supply U _B ^a	DC 10 V to 30 V
Nominal voltage	DC 24 V
Reverse voltage protection	Yes
Max. current consumption	30 mA
Electrical circuit	SELV
Requirements	The device must be equipped with an electrical circuit that meets the requirements of EN 61010-1 with regard to "Limited-energy circuits".

^a Residual ripple: the voltage peaks must not exceed or fall below the specified voltage supply values!

JUMO GmbH & Co. KG
 Delivery address: Mackenrodtstraße 14
 36039 Fulda, Germany
 Postal address: 36035 Fulda, Germany
 Phone: +49 661 6003-0
 Fax: +49 661 6003-607
 Email: mail@jumo.net
 Internet: www.jumo.net

JUMO Instrument Co. Ltd.
 JUMO House
 Temple Bank, Riverway
 Harlow, Essex, CM20 2DY, UK
 Phone: +44 1279 63 55 33
 Fax: +44 1279 62 50 29
 Email: sales@jumo.co.uk
 Internet: www.jumo.co.uk

JUMO Process Control, Inc.
 6733 Myers Road
 East Syracuse, NY 13057, USA
 Phone: +1 315 437 5866
 Fax: +1 315 437 5860
 Email: info.us@jumo.net
 Internet: www.jumousa.com



Electrical connection

for level probe (basic type 404392/000)

6-core, shielded cable with integrated pressure compensation hose, AWG 24 with ferrules

Outer diameter	Approx. 8.4 mm
Conductor cross section	0.25 mm ²
Bending radius	
Moving	160 mm
Fixed	120 mm
	It is vital to take into account that if the protective hose is kinked or pinched, this will prevent ambient pressure compensation.
Tensile force	Up to 400 N
Admissible medium temperatures	-40 to +70 °C (depending on the medium)

for level probe in the deep well version (basic type 404392/025)

2-core cable without pressure compensation with ferrules

Outer diameter	Approx. 8.3 mm
Conductor cross section	1 mm ²
Bending radius	
Moving	40 mm
Fixed	30 mm
Tensile force	Up to 400 N
Admissible medium temperatures	-40 to +60 °C

Approvals and approval marks

ACS	
Testing agency	Eurofins Expertises Environnementales
Certificates/certification numbers	16 ACC NY 235
Inspection basis	DGS/SD7A No 2002-571
Valid for	Extra code 881

JUMO GmbH & Co. KG
Delivery address: Mackenrodtstraße 14
36039 Fulda, Germany
Postal address: 36035 Fulda, Germany
Phone: +49 661 6003-0
Fax: +49 661 6003-607
Email: mail@jumo.net
Internet: www.jumo.net

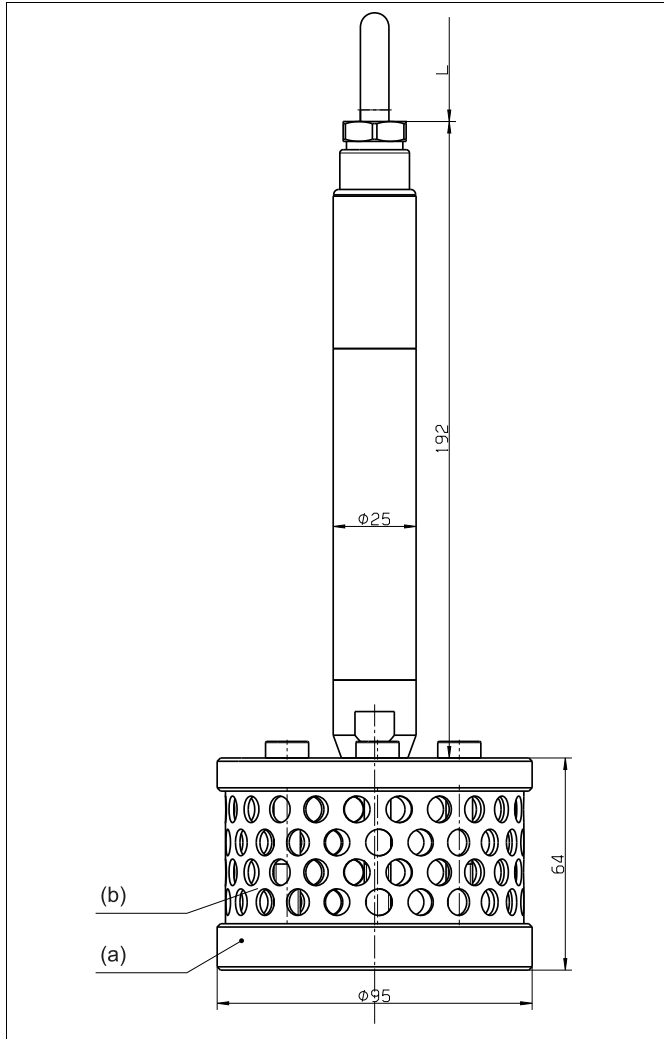
JUMO Instrument Co. Ltd.
JUMO House
Temple Bank, Riverway
Harlow, Essex, CM20 2DY, UK
Phone: +44 1279 63 55 33
Fax: +44 1279 62 50 29
Email: sales@jumo.co.uk
Internet: www.jumo.co.uk

JUMO Process Control, Inc.
6733 Myers Road
East Syracuse, NY 13057, USA
Phone: +1 315 437 5866
Fax: +1 315 437 5860
Email: info.us@jumo.net
Internet: www.jumousa.com



Dimensions

With mounted cage



L Cable length according to customer preference

(a) Protective cage

(b) Perforated metal grid Ø 8 mm

The stainless steel version with mounted protective cage is designed for difficult level measurements where sludge, turbulence or currents may be present (e.g. pumping stations, wastewater lifting stations).

The additional weight reduces effects on the output signal with strongly moving media.

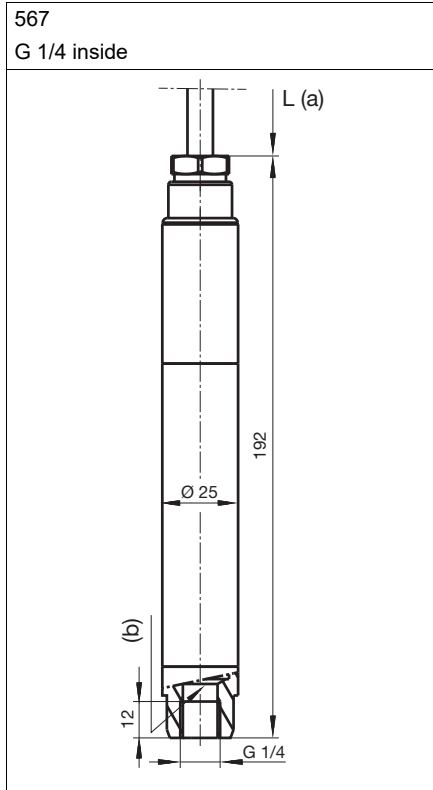
JUMO GmbH & Co. KG
 Delivery address: Mackenrodtstraße 14
 36039 Fulda, Germany
 Postal address: 36035 Fulda, Germany
 Phone: +49 661 6003-0
 Fax: +49 661 6003-607
 Email: mail@jumo.net
 Internet: www.jumo.net

JUMO Instrument Co. Ltd.
 JUMO House
 Temple Bank, Riverway
 Harlow, Essex, CM20 2DY, UK
 Phone: +44 1279 63 55 33
 Fax: +44 1279 62 50 29
 Email: sales@jumo.co.uk
 Internet: www.jumo.co.uk

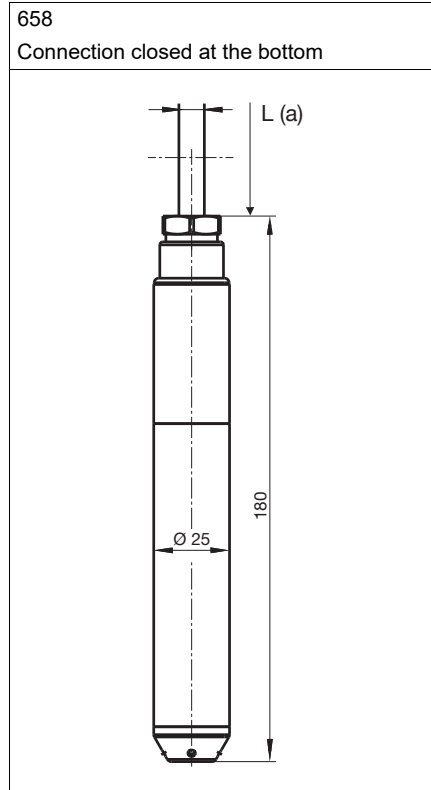
JUMO Process Control, Inc.
 6733 Myers Road
 East Syracuse, NY 13057, USA
 Phone: +1 315 437 5866
 Fax: +1 315 437 5860
 Email: info.us@jumo.net
 Internet: www.jumousa.com



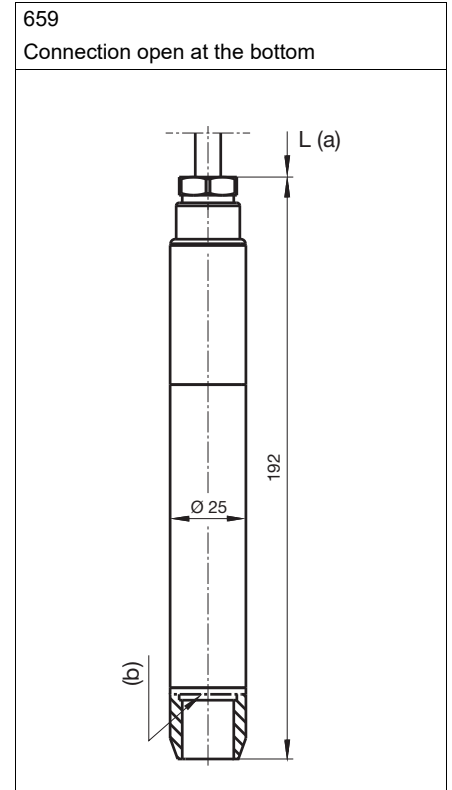
Process connection



- (a) Cable length according to customer preference
- (b) Sensitive membrane



- (a) Cable length according to customer preference
- (b) Sensitive membrane



- (a) Cable length according to customer preference
- (b) Sensitive membrane

JUMO GmbH & Co. KG
 Delivery address: Mackenrodtstraße 14
 36039 Fulda, Germany
 Postal address: 36035 Fulda, Germany
 Phone: +49 661 6003-0
 Fax: +49 661 6003-607
 Email: mail@jumo.net
 Internet: www.jumo.net

JUMO Instrument Co. Ltd.
 JUMO House
 Temple Bank, Riverway
 Harlow, Essex, CM20 2DY, UK
 Phone: +44 1279 63 55 33
 Fax: +44 1279 62 50 29
 Email: sales@jumo.co.uk
 Internet: www.jumo.co.uk

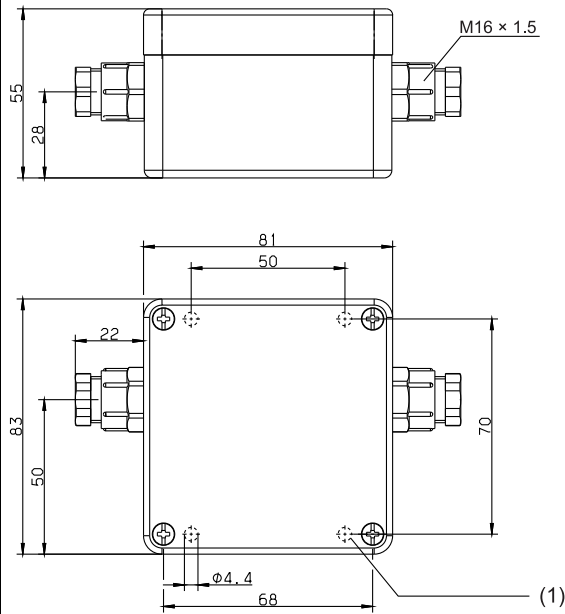
JUMO Process Control, Inc.
 6733 Myers Road
 East Syracuse, NY 13057, USA
 Phone: +1 315 437 5866
 Fax: +1 315 437 5860
 Email: info.us@jumo.net
 Internet: www.jumousa.com



Accessories

Terminal box with pressure compensation

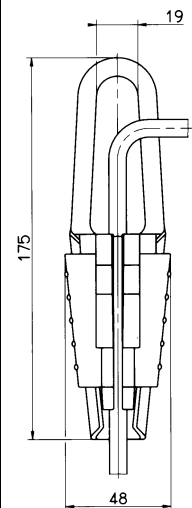
Part no. 00061206



(1) Fastening hole

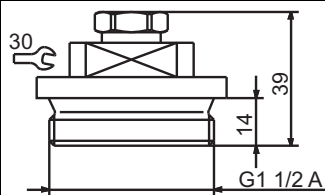
Cable clamp

Part no. 00061389



Sealing screw

Part no. 00333329



JUMO GmbH & Co. KG
 Delivery address: Mackenrodtstraße 14
 36039 Fulda, Germany
 Postal address: 36035 Fulda, Germany
 Phone: +49 661 6003-0
 Fax: +49 661 6003-607
 Email: mail@jumo.net
 Internet: www.jumo.net


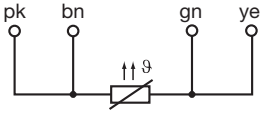
JUMO Instrument Co. Ltd.
 JUMO House
 Temple Bank, Riverway
 Harlow, Essex, CM20 2DY, UK
 Phone: +44 1279 63 55 33
 Fax: +44 1279 62 50 29
 Email: sales@jumo.co.uk
 Internet: www.jumo.co.uk

JUMO Process Control, Inc.
 6733 Myers Road
 East Syracuse, NY 13057, USA
 Phone: +1 315 437 5866
 Fax: +1 315 437 5860
 Email: info.us@jumo.net
 Internet: www.jumousa.com



Connection diagram

The connection diagram in the data sheet provides preliminary information about the connection options. For the electrical connection, only use the installation instructions or the operating manual. The knowledge and the correct technical compliance with the safety information and warnings contained in these documents are mandatory for mounting, electrical connection, and startup as well as for safety during operation.

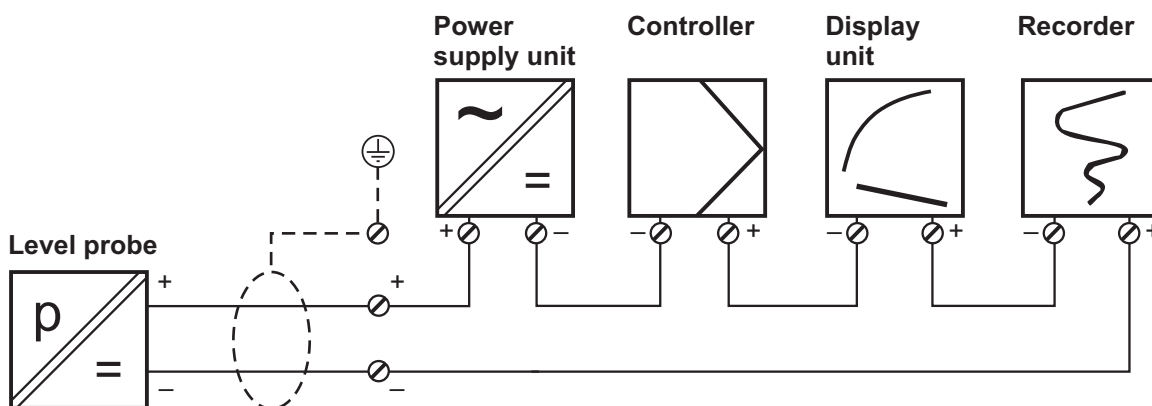
Connection		Terminal assignment
		
		Cable ^a
4 to 20 mA, two-wire (output 405 and basic type 404392/000)		
Voltage supply DC 10 to 30 V	$U_B/S+^b$	White
Rated voltage supply DC 24 V	0 V/S-	Gray
Shielding		
Caution: Ground the device! Ground all connected devices (such as pumps and valves) to the same potential!		Black
4 to 20 mA, two-wire (output 405 and basic type 404392/025)		
Voltage supply DC 10 to 30 V	$U_B/S+^b$	Brown
Rated voltage supply DC 24 V	0 V/S-	Blue
Integrated temperature probe (with basic type extension 007)		
		Pink (pk) Brown (bn) Green (gn) Yellow (ye)

^a For cable specifications, see installation instructions B 401015.4, chapter 6 "Installation and mounting".

^b The voltage peaks must not exceed or fall below the specified voltage supply values!

Connection example

Current output



JUMO GmbH & Co. KG
 Delivery address: Mackenrodtstraße 14
 36039 Fulda, Germany
 Postal address: 36035 Fulda, Germany
 Phone: +49 661 6003-0
 Fax: +49 661 6003-607
 Email: mail@jumo.net
 Internet: www.jumo.net

JUMO Instrument Co. Ltd.
 JUMO House
 Temple Bank, Riverway
 Harlow, Essex, CM20 2DY, UK
 Phone: +44 1279 63 55 33
 Fax: +44 1279 62 50 29
 Email: sales@jumo.co.uk
 Internet: www.jumo.co.uk

JUMO Process Control, Inc.
 6733 Myers Road
 East Syracuse, NY 13057, USA
 Phone: +1 315 437 5866
 Fax: +1 315 437 5860
 Email: info.us@jumo.net
 Internet: www.jumousa.com



Order details

	(1) Basic type
404392/000	JUMO MAERA S28 – Level probe
404392/025	JUMO MAERA S28 – Level probe, deep well version ^a
404392/999	JUMO MAERA S28 – Level probe, special version
	(2) Input
451	0 to 0.25 bar relative pressure
452	0 to 0.4 bar relative pressure
453	0 to 0.6 bar relative pressure
454	0 to 1 bar relative pressure
455	0 to 1.6 bar relative pressure
456	0 to 2.5 bar relative pressure
457	0 to 4 bar sealed gauge
458	0 to 6 bar sealed gauge
459	0 to 10 bar sealed gauge
999	Special measuring range for relative pressure
	(3) Output
405	4 to 20 mA, two-wire
	(4) Process connection
567	G 1/4 inside
658	Connection closed at the bottom
659	Connection open at the bottom
759	Mounted protective cage Ø 95 mm
	(5) Process connection material
20	CrNi (stainless steel)
	(6) Electrical connection
14	PUR cable, pebble gray, shielded, UV-resistant
15	PE-LD cable, black, shielded, UV-resistant
25	FEP cable, black, shielded, UV-resistant
26	Submersible motor cable, EPR cable, blue
99	Special version
	(7) Cable length of the connecting cable
005	5 m
010	10 m
...	...
100	100 m
	(8) Extra codes
000	None
007	Integrated temperature probe Pt100
593	Cutting ring fitting (preparation for protection tube)
631	Improved moisture and vibration protection
881	Drinking water approval ^b
917	EPDM seal

^a The deep-well version was designed for use in measuring ranges from 0 to 4 bar up to 0 to 10 bar with a free-hanging cable length of up to 100 m. With regard to the area of application, the version is only available with a closed process connection, and an EPR cable without pressure compensation and without a temperature probe. Another benefit is the improved moisture and vibration protection. The user must always bear in mind that a stainless-steel version is not suitable for use in media containing chlorine, such as seawater.

^b Only available with EPDM seal, PE-LED cable and submersible motor cable, EPR cable.

JUMO GmbH & Co. KG
 Delivery address: Mackenrodtstraße 14
 36039 Fulda, Germany
 Postal address: 36035 Fulda, Germany
 Phone: +49 661 6003-0
 Fax: +49 661 6003-607
 Email: mail@jumo.net
 Internet: www.jumo.net

JUMO Instrument Co. Ltd.
 JUMO House
 Temple Bank, Riverway
 Harlow, Essex, CM20 2DY, UK
 Phone: +44 1279 63 55 33
 Fax: +44 1279 62 50 29
 Email: sales@jumo.co.uk
 Internet: www.jumo.co.uk




JUMO Process Control, Inc.
 6733 Myers Road
 East Syracuse, NY 13057, USA
 Phone: +1 315 437 5866
 Fax: +1 315 437 5860
 Email: info.us@jumo.net
 Internet: www.jumousa.com



Order code (1) - (2) - (3) - (4) - (5) - (6) - (7) / (8)

Order example 404392/000 - 454 - 405 - 659 - 20 - 15 - 020 / 007, 631

Accessories

Item	Description	Part no.
Terminal box with pressure compensation element 	The terminal box is used for secure installation of the level probe cable. The end of the pressure equalization hose is always protected from precipitate and condensation (IP65). The remaining distribution can be performed with a cable without a pressure equalization hose. The terminal case should be mounted as close as possible to the medium surface while still outside the medium to ensure the system is implemented cost-effectively and in the best possible way.	00061206
Cable clamp 	The cable clamp holds the probe in the liquid at a defined depth and provides strain relief. Use of the cable clamp ensures that the cable is not deformed in an unacceptable manner. The cable clamp is compatible with all JUMO level probes. The clamping range is 5.5 mm to 10.5 mm. The maximum tensile strength is 2.5 kN. The case is made of hot-dip galvanized steel sheet. The clamping jaws and guide clips are made of glass fiber reinforced polyamide. A stainless steel variant is also available upon request.	00061389
Sealing screw 	For closed containers or water wells with a well head, the cable should be guided through and fastened by a sealing screw. The sealing screw is made up of a G 1 1/2" thread and is used to route the cable.	00333329
Pressure compensation filter for cable	The pressure compensation filter is a breathable filter that ensures aeration and exhaust-air ventilation without moisture penetrating. It is fitted at the end of the special cable.	00382632