

## MAIN FEATURES



12 CONTACTS

10 A

### PXN12C



25 CONTACTS

10 A

### DXN25C



37 CONTACTS

10 A

### DXN37C



◀◀  II 2 G D Ex e IIC Gb, Ex tb IIIC Db ▶▶

◀◀ II 2 G D Ex ia ou ib IIC Gb ▶▶

◀◀ padlocking when connected or disconnected ▶▶

◀◀ Corrosion protected metal casing ▶▶

### MULTICONNECTIONS PXN12C, DXN25C AND DXN37C CONNECTORS COMPLY WITH:

- ATEX European Directive (affixing "Ex" symbol and CE marking),
- RoHS Directive (affixing CE marking),
- REACH European Regulation,
- IEC/EN 60079-0, IEC/EN 60079-7 and IEC/EN 60079-31 standards.

### PXN12C, DXN25C AND DXN37C CERTIFICATION BODIES

Products are certified by LCIE (ATEX and IECEx), NANIO (TR CU EAC), EXPLORLABS (SANS) and KGS (KCS\*) (French, Russian, South African and South Korean notified bodies).

\*DXN37C excluded





## SIMPLE ASSEMBLY AND DISASSEMBLY

### FAST WIRING

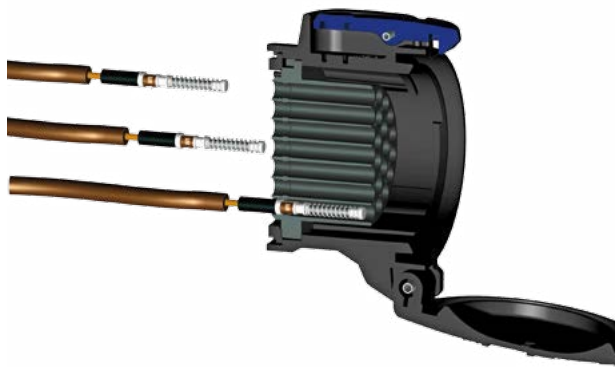
- Cable conductors: 1 mm<sup>2</sup> to 2,5 mm<sup>2</sup>.
- Before wiring, add a heat-shrink sleeve or insulating sleeve on each conductor..
- After wiring, cover the visible portion of the contact with the sleeve.
- Crimp the contact with a KNIPEX crimping tool P/N° 61CA500 or a GREENLEE crimping tool P/N° 45505.
- Use the 4 mm<sup>2</sup> footprint whatever the conductor cross-section.
- Perform a double crimping in compliance with CEI 60352-2 standard.
- Conductors can equally be soldered.

### ASSEMBLY

To insert contacts when they have been wired is simple.  
Push wired contact into rear of insulator until it stops to complete the installation.

### DISASSEMBLY

To remove, use the tool provided.  
Push tool from front onto contact until tool stops.  
Contact is then released at rear of insulator.

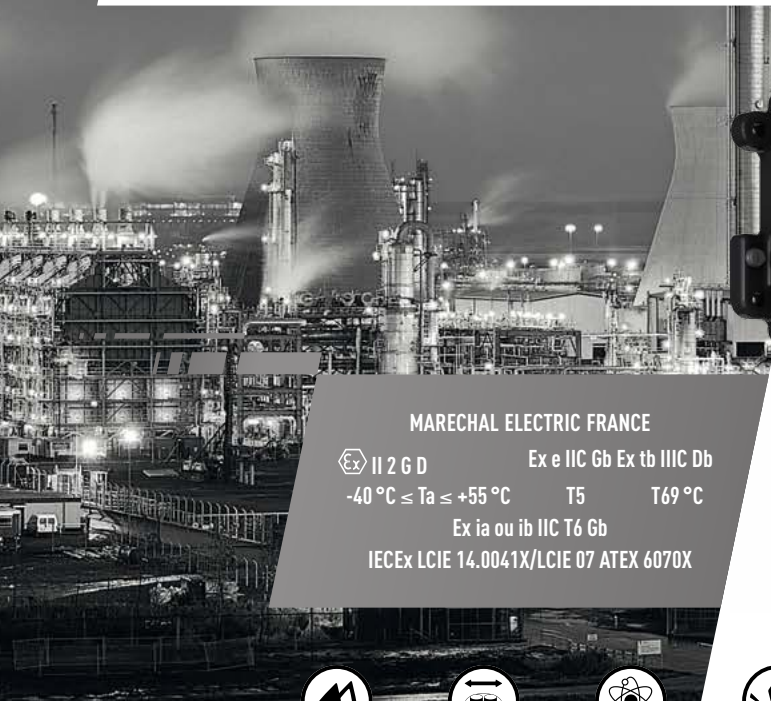


# 12 CONTACTS

10 A

220 V  
U<sub>MAXI</sub>

## CONNECTORS MULTICONTACTS PXN12C



MARECHAL ELECTRIC FRANCE

Ex II 2 G D      Ex e IIC Gb Ex tb IIIC Db  
-40 °C ≤ Ta ≤ +55 °C      T5      T69 °C  
Ex ia ou ib IIC T6 Gb  
IECEx LCIE 14.0041X/LCIE 07 ATEX 6070X



IP65  
IP66



1-2,5 mm<sup>2</sup>



METAL



IK09



-40 °C  
+55 °C



ATEX



1, 2,  
21, 22

### OTHER FEATURES

Rated current (with wiring according to standard)

4-20 mA/10 A

Terminals wiring

crimping

Flexible wiring (min.-max.).

1-2,5 mm<sup>2</sup>

### STANDARDS

International and European IEC/EN standards

60079-0, 60079-7 et 60079-31

Protection mode

e ou i, tb

# REFERENCES AND OPTIONS

## WALL MOUNTING

socket female  
PXN12C



Input	Cable outer Ø	Reference	Input	Cable outer Ø	Reference
M25	9-16 mm	06A000125M	M25	9-16 mm	06A100125M
M32	12-21 mm	06A0001	M32	12-21 mm	06A1001

PLUG male  
PXN12C



Connection or  
disconnection screw  
locking imprint  
BTR 2.5.

## INCLINED SOCKET FEMALE

PXN12C



## INCLINED APPLIANCE inlet male

PXN12C



Reference	Reference
06A7001	06A9001

Each product is  
supplied with 1 bag of  
13 contacts depending  
on the maximum  
configuration.  
This allows you to set  
up the product to suit  
your needs.

## COUPLER SOCKET female

PXN12C



## INCLINED APPLIANCE inlet

PXN12C



Input	Cable outer Ø	Reference	Input	Cable outer Ø	Reference
M25	9-16 mm	06A300125M	M25	9-16 mm	06A600125M
M32	12-21 mm	06A3001	M32	12-21 mm	06A6001

## INFOS +

Leaving 2 contacts unused can give 9 different keying positions (on socket outlet side or mobile plug side) using the two specific stopping plugs supplied.

### OPTIONS

Reference

#### BAG OF 13 FEMALES CONTACTS



01AA213

#### BAG OF 13 MALES CONTACTS



01AA113

#### REMOVAL KEY



61CA593

### OPTIONS

Reference

#### CRIMPING TOOL



61CA500

#### HELAVIA SLEEVE EXPANSION TOOL



61CA400

#### BAG OF 13 HEAT SHRINK INSULATION SLEEVES

61CA083

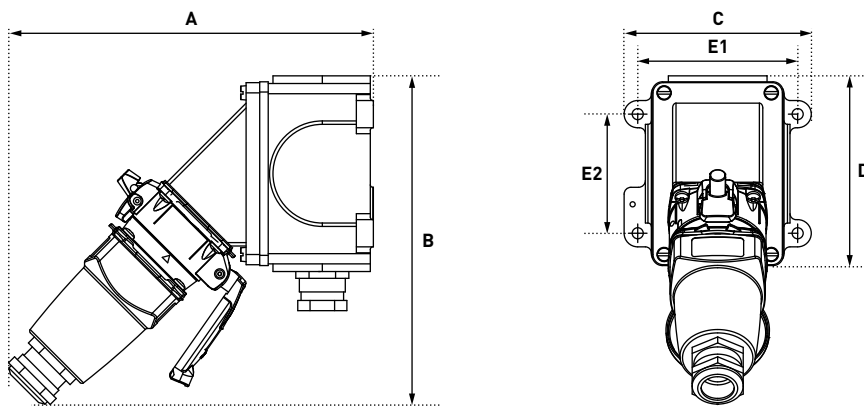
#### INLET CAP



01NA426

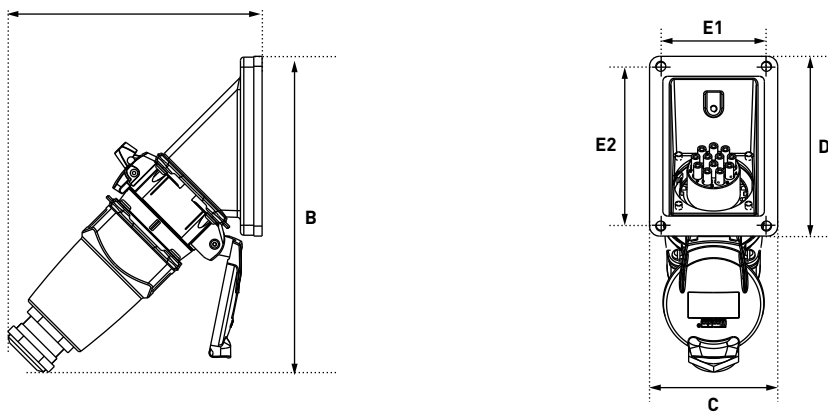
# DRAWINGS AND DIMENSIONS

## PLUG ON 45° WALL MOUNTED SOCKET OUTLET



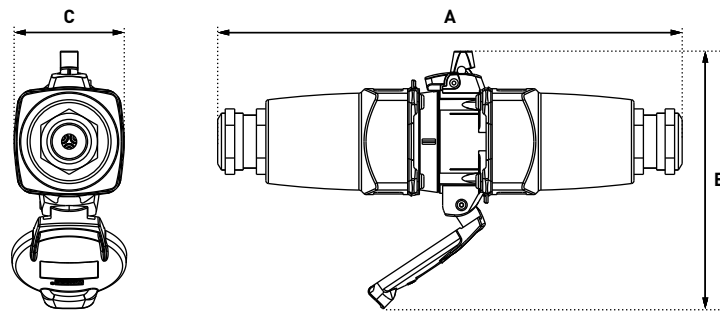
A	B	C	D	E1	E2
213	193	110	114	94	70

## PLUG ON 45° INCLINED SOCKET OUTLET



A	B	C	D	E1	E2
153	189	77	107	63	95

## COUPLER



A	B	C
246	136	58

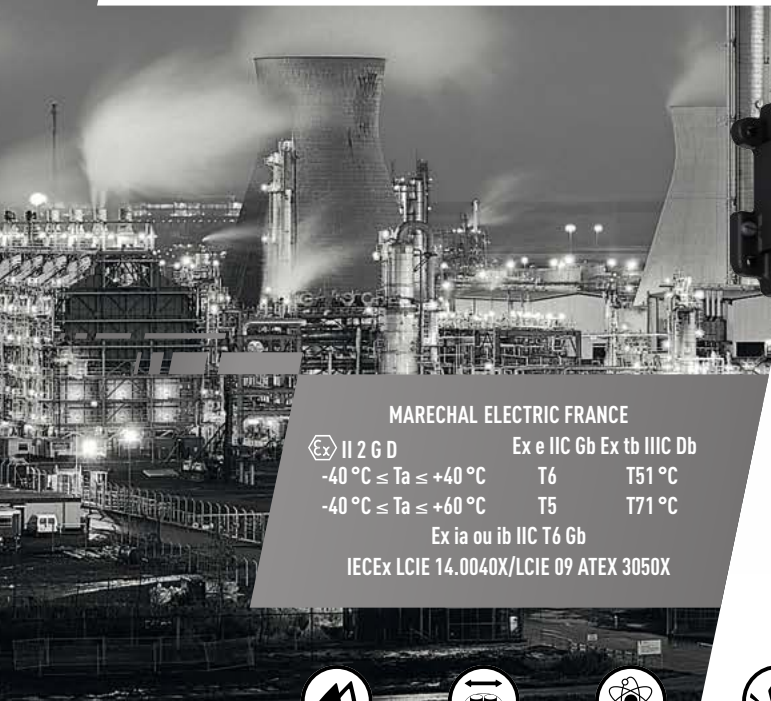


# 25 CONTACTS

10 A

440 V  
U<sub>MAXI</sub>

## CONNECTORS MULTICONTACTS DXN25C



MARECHAL ELECTRIC FRANCE  
II 2 G D Ex e IIC Gb Ex tb IIIC Db  
-40 °C ≤ Ta ≤ +40 °C T6 T51 °C  
-40 °C ≤ Ta ≤ +60 °C T5 T71 °C  
Ex ia ou ib IIC T6 Gb  
IECEx LCIE 14.0040X/LCIE 09 ATEX 3050X



IP66  
IP67



1-2,5 mm<sup>2</sup>



METAL



IK09



-40 °C  
+60 °C



ATEX



1, 2,  
21, 22

### OTHER FEATURES

Rated current (with wiring according to standard)	4-20 mA/10 A
Terminals wiring	Crimping
Flexible wiring (min.-max.).	1-2,5 mm <sup>2</sup>

### STANDARDS

International and European IEC/EN standards	60079-0, 60079-7 et 60079-31
Protection mode	e ou i, tb

# REFERENCES AND OPTIONS

## WALL MOUNTING

socket female  
DXN25c



PLUG male  
DXN25c



Input	Cable outer Ø	Reference	Input	Cable outer Ø	Reference
M32	12-21 mm	36D000232M	M32	12-21 mm	36D100232M
M40	16-27 mm	36D0002	M40	16-27 mm	36D1002



Locking position  
connected or  
disconnected by  
lockable shaft.

Other accessories  
on request.

Each product is  
supplied with 2 bags of  
13 contacts depending  
on the maximum  
configuration.  
This allows you to set  
up the product to suit  
your needs.  
Delivered with  
padlocking shaft.

## INCLINED SOCKET FEMALE

DXN25c



## INCLINED APPLIANCE inlet male

DXN25c



Reference	Reference
36D7002	36D9002

## COUPLER SOCKET

female  
DXN25c



## INCLINED APPLIANCE inlet

DXN25c



Input	Cable outer Ø	Reference	Input	Cable outer Ø	Reference
M32	12-21 mm	36D300232M	M32	12-21 mm	36D600232M
M40	16-27 mm	36D3002	M40	16-27 mm	36D6002

## INFOS +

Leaving 2 contacts unused can give 9 different keying positions (on socket outlet side or mobile plug side) using the two specific stopping plugs supplied.

### OPTIONS

Reference

#### BAG OF 13 FEMALES CONTACTS



01AA213

#### BAG OF 13 MALES CONTACTS



61CA113

#### REMOVAL KEY



61CA593

### OPTIONS

Reference

#### CRIMPING TOOL



61CA500

#### HELAVIA SLEEVE EXPANSION TOOL



61CA400

#### BAG OF 13 HEAT SHRINK INSULATION SLEEVES

61CA083

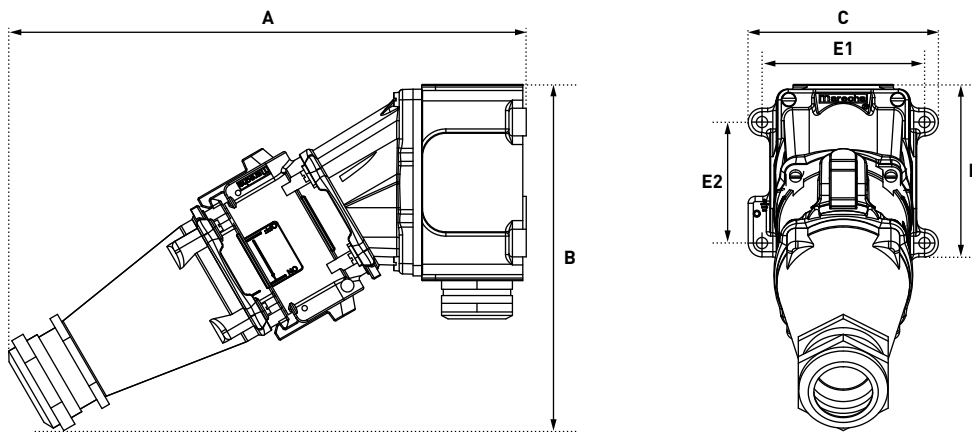
#### INLET CAP IP66/IP67



313A426

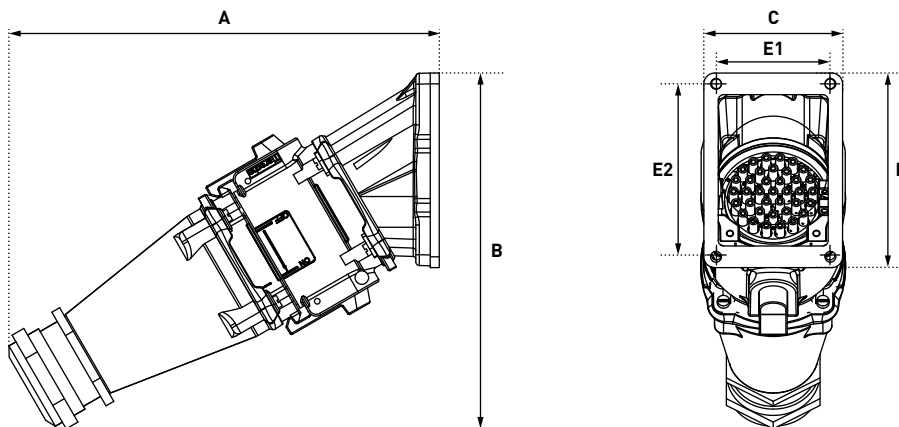
# DRAWINGS AND DIMENSIONS

## PLUG ON 30° WALL MOUNTED SOCKET OUTLET



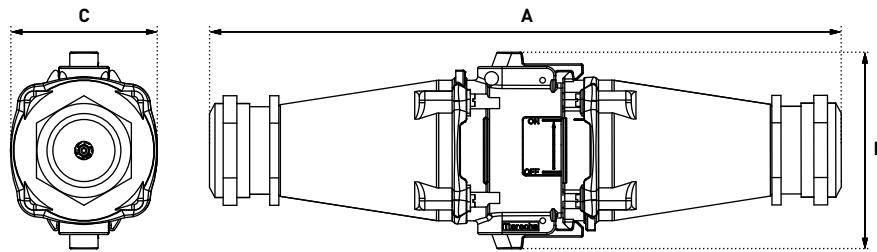
A	B	C	D	E1	E2
299	200	110	114	94	70

## PLUG ON 30° INCLINED SOCKET-OUTLET



A	B	C	D	E1	E2
239	197	77	107	63	95

**COUPLER**



A	B	C
346	108	80

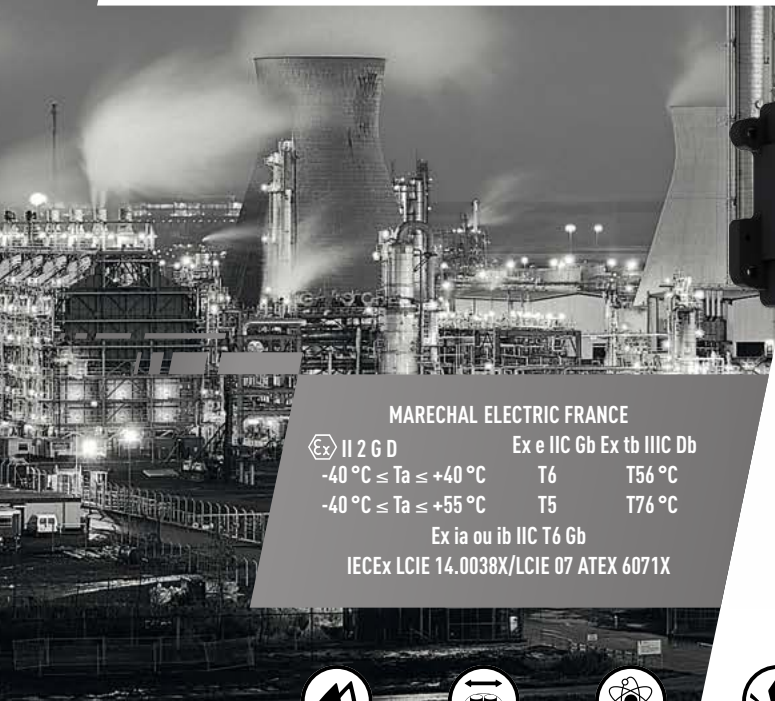


# 37 CONTACTS

10 A

230 V  
U<sub>MAXI</sub>

## CONNECTORS MULTICONTACTS DXN37C



MARECHAL ELECTRIC FRANCE

Ex II 2 G D Ex e IIC Gb Ex tb IIIC Db  
-40 °C ≤ Ta ≤ +40 °C T6 T56 °C  
-40 °C ≤ Ta ≤ +55 °C T5 T76 °C  
Ex ia ou ib IIC T6 Gb  
IECEx LCIE 14.0038X/LCIE 07 ATEX 6071X



IP66  
IP67



1-2,5 mm<sup>2</sup>



METAL



IK09



-40 °C  
+55 °C



ATEX



1, 2,  
21, 22

### OTHER FEATURES

Rated current (with wiring according to standard)

4-20 mA/10 A

Terminals wiring :

crimping

Flexible wiring (min.-max.).

1-2,5 mm<sup>2</sup>

### STANDARDS

International and European IEC/EN standards

60079-0, 60079-7 et 60079-31

Protection mode

e ou i, tb

# REFERENCES AND OPTIONS

## WALL MOUNTING

socket female  
DXN37C



Input	Cable outer Ø	Reference
M32	12-21 mm	36C000332M
M40	16-27 mm	36C0003

PLUG male  
DXN37C



Input	Cable outer Ø	Reference
M32	12-21 mm	36C100332M
M40	16-27 mm	36C1003



Locking position  
connected or  
disconnected by  
lockable shaft.

Other accessories  
on request.

INCLINED SOCKET  
FEMALE  
DXN37C



Reference
36C7003

INCLINED  
APPLIANCE inlet male  
DXN37C



Reference
36C9003

Each product is  
supplied with 2 bags of  
13 contacts depending  
on the maximum  
configuration.  
This allows you to set  
up the product to suit  
your needs.  
Delivered with  
padlocking shaft.

COUPLER SOCKET  
female  
DXN37C



Input	Cable outer Ø	Reference
M32	12-21 mm	36C300332M
M40	16-27 mm	36C3003

INCLINED  
APPLIANCE inlet  
DXN37C



## INFOS +

Leaving 2 contacts unused can give 9 different keying positions (on socket outlet side or mobile plug side) using the two specific stopping plugs supplied.

### OPTIONS

Reference

#### BAG OF 13 FEMALES CONTACTS



01AA213

#### BAG OF 13 MALES CONTACTS



61CA113

#### REMOVAL KEY



61CA593

### OPTIONS

Reference

#### CRIMPING TOOL



61CA500

#### HELAVIA SLEEVE EXPANSION TOOL



61CA400

#### BAG OF 13 HEAT SHRINK INSULATION SLEEVES

61CA083

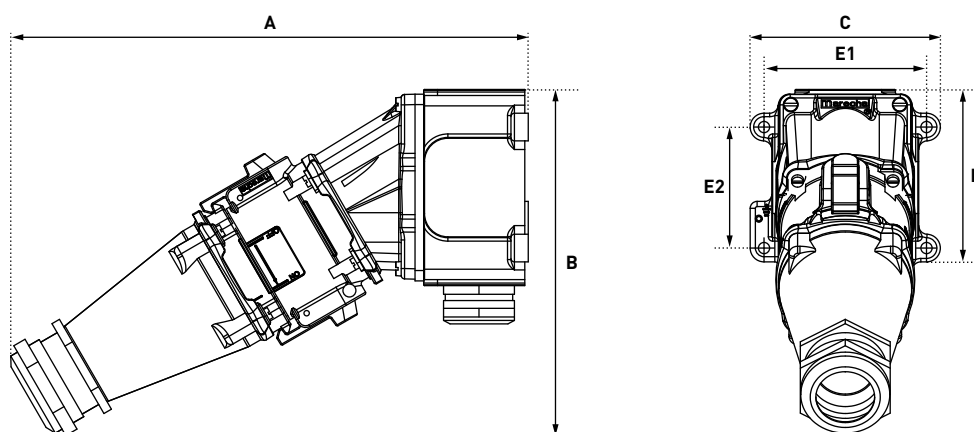
#### INLET CAP IP66/IP67



313A426

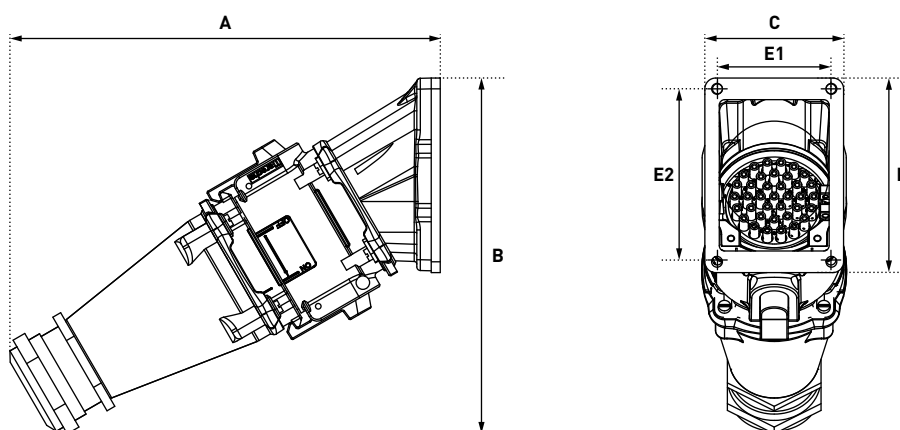
# DRAWINGS AND DIMENSIONS

## PLUG ON 30° WALL MOUNTED SOCKET OUTLET



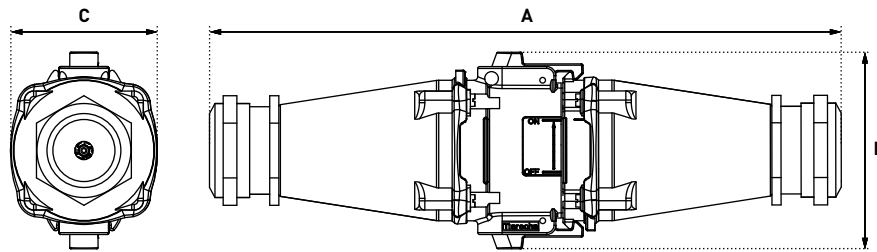
A	B	C	D	E1	E2
299	200	110	114	94	70

## PLUG ON 30° INCLINED SOCKET-OUTLET



A	B	C	D	E1	E2
239	197	77	107	63	95

**COUPLER**



A	B	C
346	108	80

